

en	Original Instructions - Mobile dust extractors	6
fr	Notice d'utilisation d'origine - Aspirateurs mobile	18
es	Manual de instrucciones original - Sistemas móviles de aspiración	31



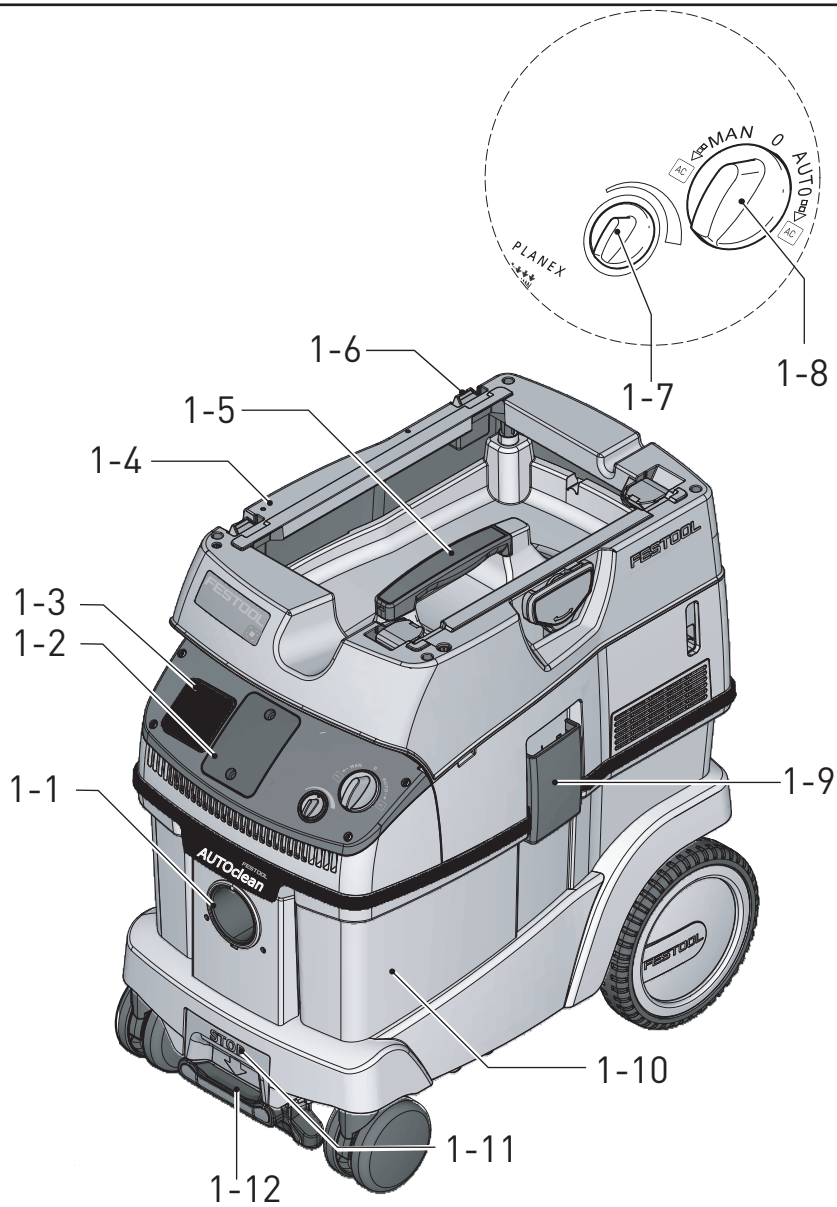
Read all instructions before using
Lire toutes les instructions avant de démarrer les travaux.
Lea y comprende todas las instrucciones antes de usar.



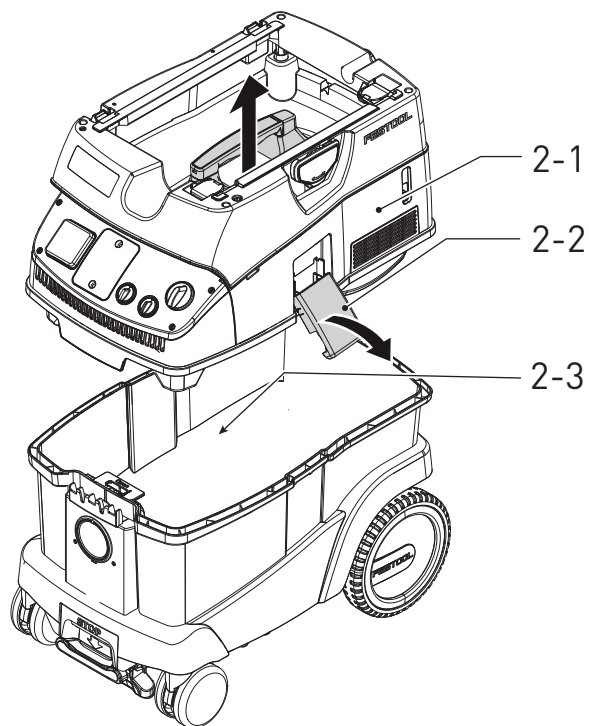
CT 26 E HEPA
CT 36 E HEPA
CT 48 E HEPA



1









2



Contents

1	Symbols.....	6
2	About this manual.....	6
3	Safety warnings.....	7
4	Technical data.....	10
5	Functional description.....	10
6	Intended use.....	11
7	Operation.....	11
8	Settings.....	12
9	Working.....	12
10	Filter.....	13
11	After finishing work.....	15
12	Service and maintenance.....	16
13	Accessories.....	16
14	Disposal.....	17



1 Symbols

Symbol	Significance
	Warning of general danger
	Risk of electric shock
	Read operating instructions and safety notices!
	Wear a dust mask.
	Tip or advice
	Handling instruction






2 About this manual

Save these instructions

It is important for you to read and understand this manual. The information it contains relates

Symbol	Significance
W	watt
h	hour
min	minutes
s	seconds
kg	kilograms
Pa	pascal
dB	decibel
V	volts
A	amperes
Hz	hertz
~ a.c.	alternating current
≡ d.c.	direct current
n_0	no load speed
	Class II construction
rpm min ⁻¹	revolutions per minute
"	inch
lbs.	pound
	diameter

to protecting **your safety** and **preventing problems**. The symbols below are used to help you recognize this information.

	DANGER	Description of imminent hazard and failure to avoid hazard will result in death.
	WARNING	Description of hazard and possible resulting injuries or death.
	CAUTION	Description of hazard and possible resulting injuries.
	NOTICE	Statement including nature of hazard and possible result.
	HINT	Indicates information, notes, or tips for improving your success using the tool.

3 Safety warnings



IMPORTANT SAFETY INSTRUCTIONS

When using an electrical appliance, basic precautions should always be followed, including the following:

READ ALL INSTRUCTIONS

BEFORE USING THIS DUST EXTRACTOR:

 **WARNING** - To reduce the risk of fire, electric shock, or injury:

- Do not leave the dust extractor when plugged in. Unplug from outlet when not in use and before servicing.
- Use indoors only.
- Do not allow to be used as a toy. Close attention is necessary when used by or near children.
- Use only as describes in this manual. Use only manufacturer's recommended attachments.
- Do not use with damaged cord or plug. If the dust extractor is not working as it should, has been dropped, damaged, left outdoors, or dropped into water, return it to a service center.
- Do not pull or carry by cord, use cord as a handle, close a door on cord, or pull cord around sharp edges or corners. Do not run dust extractor over cord. Keep cord away from heated surfaces.
- Do not unplug by pulling on cord. To unplug, grasp the plug, not the cord.
- Do not handle plug or dust extractor with wet hands.
- Do not put any object into openings. Do not use with any opening blocked; keep free of dust, lint, hair, and anything that may reduce air flow.
- Keep hair, loose clothing, fingers, and all parts of body away from openings and moving parts.
- Turn off all controls before unplugging.
- Use extra care when cleaning on stairs.
- Do not use to pick up flammable or combustible liquids, such as gasoline, or use in areas where they may be present.
- Connect to a properly grounded outlet only. See Grounding instructions.
- Do not pick up anything that is burning or smoking, such as cigarettes, matches, or hot ashes, hot chips or particles, sparks.
- Do not use without dust bag and/or filters in place.

SAVE THESE INSTRUCTIONS

GROUNDING INSTRUCTIONS

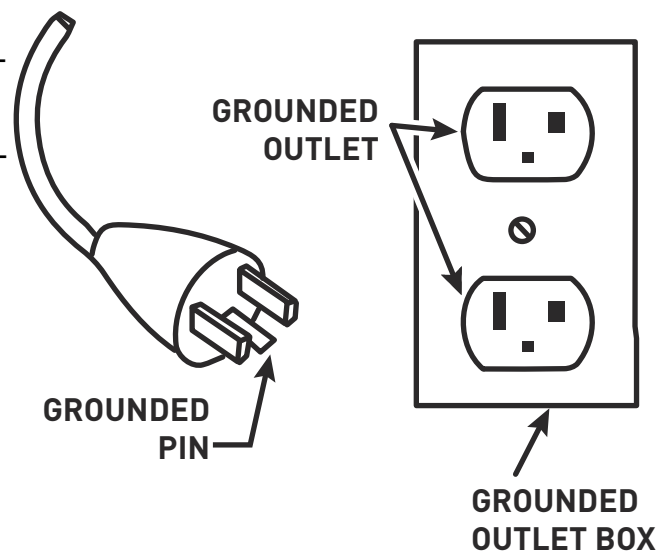
This appliance must be grounded. If it should malfunction or breakdown, grounding provides a path of least resistance for electric current to reduce the risk of electric shock. This vacuum cleaner is equipped with a cord having an equipment-grounding conductor and grounding plug. The plug must be inserted into a appropriate outlet that is properly installed and grounded in accordance with all local codes and ordinances.

WARNING

- Improper connection of the equipment grounding conductor can result in a risk of electric shock. Check with a qualified electrician or service person if you are in doubt as to whether the outlet is properly grounded. Do not modify the plug provided with the dust extractor - if it will not fit the outlet, have a proper outlet installed by a qualified electrician.

This appliance is for use on a nominal 120-V circuit and has a grounding attachment plug that looks like the plug illustrated in sketch A in Figure beside. Make sure that the appliance is connected to an outlet having the same configuration as the plug. No adaptor should be used with this appliance.

GROUNDING METHODS - SKETCH A



Polarization Instructions

To reduce the risk of electric shock, this vacuum cleaner has a polarized plug (one blade is wider than the other). This plug will fit in a polarized outlet only one way. If the plug does not fit fully in the outlet, reverse the plug. If it still does not fit, contact a qualified electrician to install the proper outlet. Do not change the plug in any way.

Further safety instructions

- This appliance must not be used by persons (including children) with reduced physical, sensory or mental capabilities, or lack of experience and knowledge. **Children** need to be supervised to ensure they do not play with the appliance.



CAUTION

This machine is for indoor use only. This machine shall be stored indoors only.

- This machine must not be used by people who might have a particularly adverse reaction to an electric shock (e.g. **people with cardiac pacemakers**), because the possibility of the machine building up a static charge cannot be excluded.
- Use only the original Festool suction hose.
- **Keep packaging film away from children.**
There is a risk of suffocation.
- **Pay attention to the work environment and watch out for your own safety and the safety of others when transporting or working with the machine.**

In this way, you can for example prevent tripping hazards caused by the suction hose or mains cable.

– **WARNING!**

Do not extract embers or other ignition sources. Do not use in conjunction with machines that generate sparks!

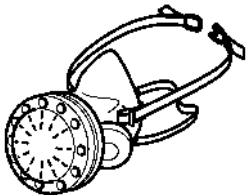
Per NFPA 484, do not collect incompatible materials that may react with the metal particles and do not use the dust extractor to collect materials it was not designed to collect. Doing so can result in the contents of the dust extractor catching fire.

Health hazard by dust

WARNING!

various dust created by power sanding, sawing, grinding, drilling and other construction activities contains chemicals known (to the State of California) to cause cancer, birth defects or other reproductive harm. Some examples of these chemicals are:

- lead from lead-based paints,
- crystalline silica from bricks and cement and other masonry products, and
- arsenic and chromium from chemically treated lumber.



The risk from these exposures varies, depending on how often you do this type of work. To reduce your exposure to these chemicals: work in a well ventilated area, and work with approved safety equipment, such as dust masks that are specially designed to filter out microscopic particles. Wash hands after handling.

**WARNING**

TO REDUCE THE RISK OF INJURY, USER MUST READ INSTRUCTION MANUAL.

4 Technical data

Dust extractor CT 26 E, CT 36 E, CT 48 E		
Power consumption (dust extractor only)		2.9 - 8.3 A (350 - 1000 W) ^[1.]
Total connected load	max.	12 A (1440 W)
Max. rating of connected Power Tool		3.7 A ^[2.]
Volume flow (air), turbine	max.	234 m ³ /h (8264 cu.ft./h)
Vacuum, turbine	max.	24000 Pa
Filter surface		5300 cm ² (821,5 sq.in.)
Suction hose (diameter x length)		27 mm x 3.5 m (1-1/16" x 11.5')
Protection type		IP X4
Sound pressure level as per IEC 60704-2-1		71 dB(A)
Container capacity	CT 26 E	26 l (6.9 gal.)
	CT 36 E	36 l (9.5 gal.)
	CT 48 E	48 l (12.7 gal.)
Dimensions L x W x H	CT 26 E	630 x 365 x 540 mm (24.8" x 14.4" x 21.3")
	CT 36 E	630 x 365 x 596 mm (24.8" x 14.4" x 23.5")
	CT 48 E	715 x 392 x 680 mm (28.1" x 15.4" x 26.8")
Weight	CT 26 E	13 kg (28.7 lbs)
	CT 36 E	14.4 kg (31.8 lbs)
	CT 48 E	16.3 kg (35.9 lbs)

5 Functional description

The pictures for the functional description are on a fold-out page at the beginning of the instruction manual. When reading of the manual you can fold out this page for having always an overview of the machine.

Accessories shown or described are sometimes not included in the scope of delivery.

[1-1] Intake opening

[1-2] Module slot

[1-3] Appliance socket

[1-4] Hose store

[1-5] Handle

[1-6] SysDoc

[1-7] Suction power adjuster

[1-8] Switch

[1-9] Locking clip

[1-10] Dust container

[1-12] Brake

[1]) 8.3 A (1000 W) is the medium value for different operation conditions, a maximum power consumption of 10 A (1200 W) is possible.

[2]) When the suction power adjuster [1-7] is adjusted to the lowest suction power (see page [Page 12](#), chapter [8 - 8.4](#)) the maximal rating of a connected power tool can be 9.1 Amps.

6 Intended use

The dust extractor is designed for use as specified for the aspiration and evacuation of non-noxious dusts, dirt, sand, shavings etc..

The dust extractor is designed as specified for vacuuming water.

The dust extractor is designed for commercial use.

The mobile dust extractor is only suitable for indoor use.

This extractor has been tested in accordance with EPA RRP. The HEPA Filter is tested and certified in accordance with IEST RP-CC-001, to filter and exhaust air particles to 0.3 microns with at least 99.97 % efficiency with no bypass leakage.



WARNING

The user will be liable for damage due to improper use.

7 Operation



WARNING

Unauthorised voltage or frequency!

Risk of accident

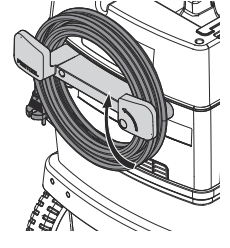
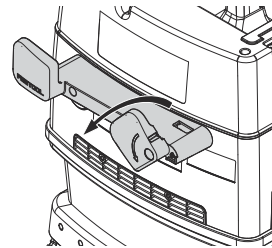
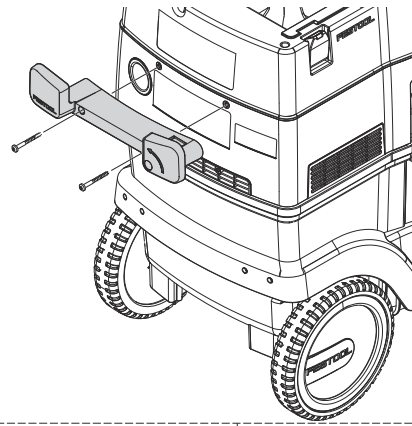
- ▶ The mains voltage and the frequency of the power source must correspond with the specifications on the machine's name plate.
- ▶ In North America, only Festool machines with the voltage specifications 120 V/60 Hz may be used.

Consider the pictures on the fold-out page.

7.1 Initial operation

- ▶ Open the locking clips [2-2] and remove the top section of the machine [2-1].
- ▶ Remove the accessories from the dust container [2-3] and the packaging!
- ▶ Insert a filter bag in the dust container (see chapter " 10.1").
- ▶ Attach the cable holder to the rear of the mobile dust extractor (see Fig. [3]).

3



- ▶ Replace the top section [2-1] and close the locking clips [2-2].
- ▶ Connect the suction hose to the machine.

7.2 Switch on/off

- ▶ Insert the plug into an earthed socket.



CAUTION

Risk of injury from tools starting up unexpectedly

- ▶ Before setting the switch to the "AUTO" or "MAN" position, make sure that the connected tool is switched off.

The switch [1-8] serves as an On/Off switch. It has three positions:

Switch position "0"

Appliance socket [1-3] is disconnected from the power, mobile dust extractor is switched off.

"MAN" switch position

Appliance socket [1-3] is disconnected from the power, the mobile dust extractor starts.

"Auto" switch position


Appliance socket [1-3] is connected to the power, the mobile dust extractor starts when the connected tool is switched on.

7.3 Extension Cord

If an extension cord is required, it must have sufficient cross-section to prevent an excessive drop in voltage or overheating. An excessive drop in voltage reduces the output and can lead to failure of the motor. The table below shows you the correct cord diameter as a function of the cord length for this tool.

Total Extension	25	50	100	150
Cord Length (feet)				
Cable size (AWG)	14	12	not recommended	

Use only U.L. and CSA listed extension cords. Never use two extension cords together. Instead, use one long one.

 The lower the AWG number, the stronger the cord.

7.4 The antistatic system

Friction inside the extraction hose causes static electricity to develop during extraction. Operating personnel may receive unpleasant electric shocks while working. The mobile dust extractor is fitted with an antistatic system as standard to discharge any static electricity that may develop. However, always use the enclosed antistatic extraction hose.

8 Settings

Consider the pictures on the fold-out page.

8.1 Connecting electric power tools



WARNING

Risk of injury

- ▶ Observe the maximum appliance socket connected load (see chapter "Technical data")
- ▶ Switch off the electric power tool.
- ▶ Connect the electric power tool to the appliance socket.

8.2 Connecting pneumatic tools



WARNING

Risk of injury

- ▶ Switch off the air tool.

If the compressed air module **[1-2]** (496141) is installed, the automatic switch-on function of the mobile dust extractor also works in combination with pneumatic tools.


We also recommend installing the VE service unit (495886). The service unit filters and lubricates the compressed air and enables an adjustment of the air pressure. An IAS adapter (454757) is available to connect Festool pneumatic tools to the IAS system.

The operating pressure of the tool must be 6 bar for the automatic switch-on unit to function correctly.

8.3 Temperature cut-out

To prevent overheating, a temperature cut-out switches the mobile dust extractor off when it reaches a critical temperature.

- ▶ To prevent overheating, a temperature cut-out switches the mobile dust extractor off when it reaches a critical temperature.
- ▶ Switch off the mobile dust extractor and allow to cool for about 5 minutes.

 If the mobile dust extractor will not switch on again, please contact a Festool service workshop.

8.4 Adjusting the suction power

You can use the suction power adjuster **[1-7]** to adapt the machine suction power to different applications.

8.5 Connecting sleeve

The bypass function of the connecting sleeve prevents strong suction from sanding machines and floor nozzles on smooth surfaces.

Open

- ▶ Turn the adjusting ring to the "OPEN" position.

Close

- ▶ Turn the adjusting ring to the "CLOSE" position.

8.6 Applying the brake

Folding out the brake lever **[1-12]** prevents the mobile dust extractor from rolling. To achieve this, lift the front end of the mobile dust extractor slightly and push the brake lever downwards until it latches into place. Push the lever **[1-11]** again to release.

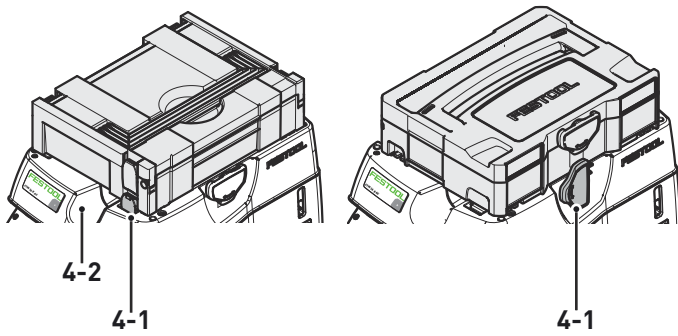
9 Working

9.1 Handling

Hose store: after finishing work, you can feed the suction hose through the recess **[4-2]** and place it in the hose store.

SysDoc Systainer attachment system: a Systainer can be attached to the storage area via the four slides or the T-Loc **[4-1]**.

4



9.2 Extracting dry materials



CAUTION

Hazardous dust

Damage to the respiratory passage

- ▶ Use a filter or disposal bag when extracting hazardous materials!
- ▶ Do not use the machine if the volumetric flow monitoring function is inactive.

Observe the following when extracting dust generated by operating electric power tools: If the exhaust air is discharged back into the room, the **air renewal rate L** within the room must be sufficient. The volume of air discharged back into the room must not exceed 50% of the fresh air volume flow (room volume V_R x air renewal rate L_w). Observe all the relevant regional regulations.

Remember: A moist main filter clogs more quickly when extracting dry materials. Therefore, dry the main filter before extracting dust or replace the damp filter with a dry one.

9.3 Extracting fluids



WARNING

Risk of injury

- ▶ Do not evacuate combustible liquids!

ⓘ The main filter shall only be used for extracting dry materials.

Before extracting fluids, remove the filter bag (see chapter 10.1). We recommend using a special wet filter.

The dust extractor stops automatically when the maximum level is reached.



CAUTION

Escaping foam and fluids

- ▶ Switch off the machine immediately and empty the dust container.



CAUTION

Hazardous dust

Damage to the respiratory passage

- ▶ After extracting wet materials, remove the wet filter and replace it with the main filter for dry materials.

10 Filter



WARNING

Risk of injury

- ▶ During the following procedure, take care not to raise dust more than is unavoidable. Moisten the main filter with a water spray before removing it.

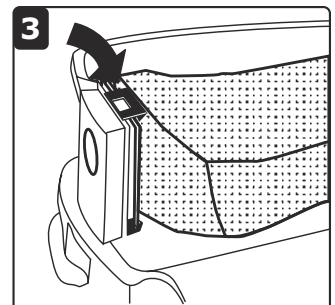
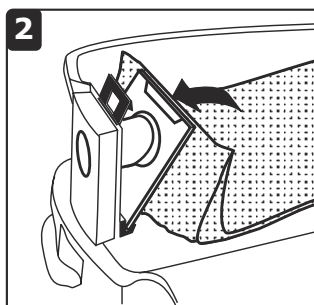
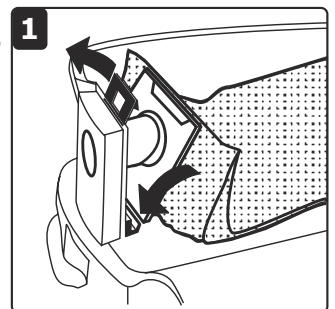
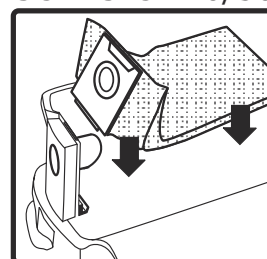
10.1 Changing the filter bag

Inserting the filter bag

- ▶ Open the locking clips [2-2] and remove the top section of the machine [2-1].
 - ▶ Insert a new filter bag (SC-FIS-CT 26/36/48) (Fig. [5]) in the inlet port of the dust container and interlock it. **Important:** be aware that the locking engages.
- ⓘ Make sure that the filter bag is not pinched between the top and bottom sections.
- ▶ Replace the top section [2-1] and close the locking clips [2-2].

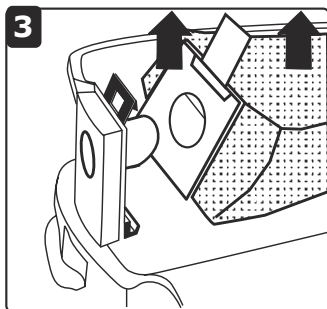
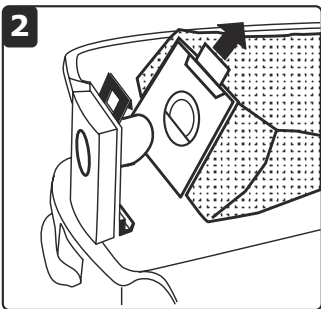
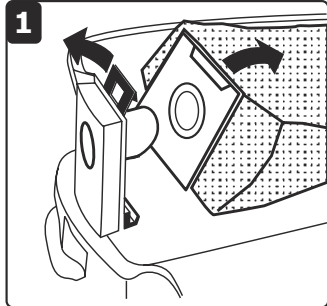
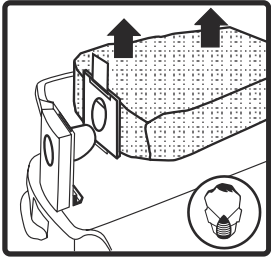
5

SC-FIS-CT 26/36/48



Removing the filter bag

- ▶ Open the locking clips [2-2] and remove the top section of the machine [2-1].
- ▶ Remove the filter bag (Fig. [6]).
- ▶ Dispose of the used bag in accordance with statutory regulations.
- ▶ Clean the dust container [2-3].
- ▶ Insert a new filter bag if necessary.



6

- ▶ Replace the top section [2-1] and close the locking clips [2-2].

10.2 Changing the disposal bag

Inserting the disposal bag [7]

- ▶ Open the locking clips [2-2] and remove the top section of the machine [2-1].
- ▶ Insert a new disposal bag (ENS-CT26/36/48) on the inlet nozzle of the container and lock in position.

Important: The lateral openings on the disposal bag must be positioned inside the container. Make sure that the bolt engages.

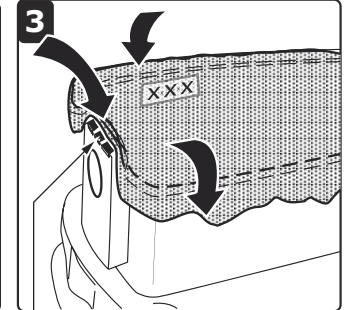
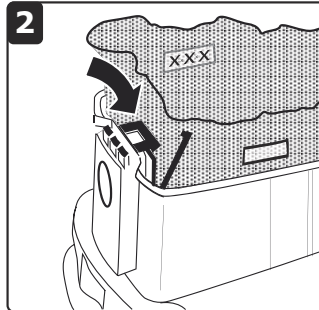
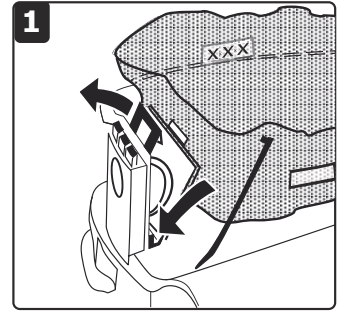
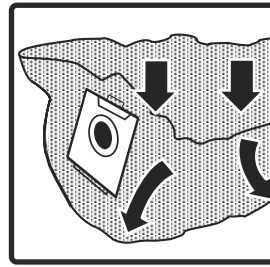
- ▶ Place the disposal bag over the edge of the container.



Make sure that the contacts [7-1] are free.

- ▶ Replace the top section [2-1] and close the locking clips [2-2].

ENS-CT 26/36/48

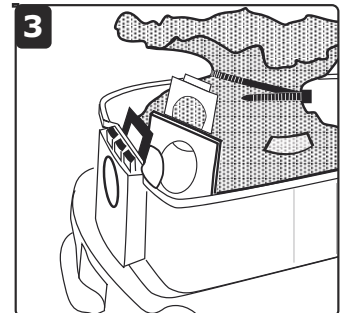
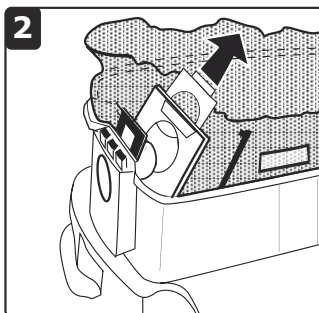
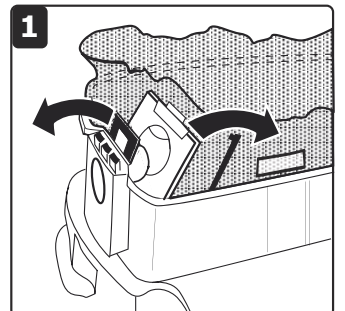
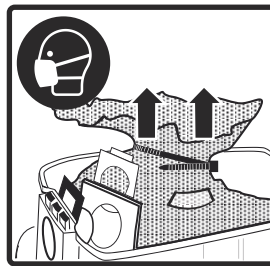


7

7-1

Removing the disposal bag [8]

- ▶ Open the locking clips [2-2] and remove the top section of the machine [2-1].



8

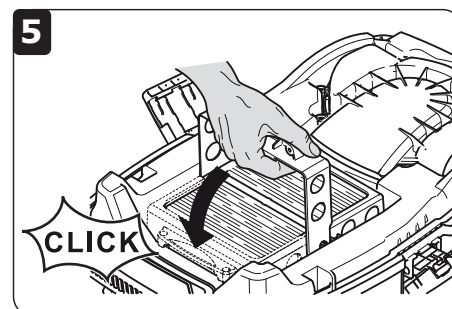
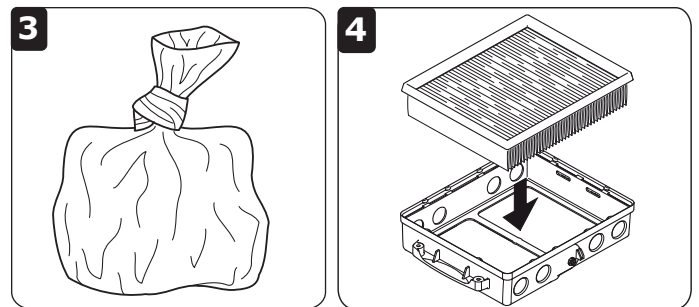
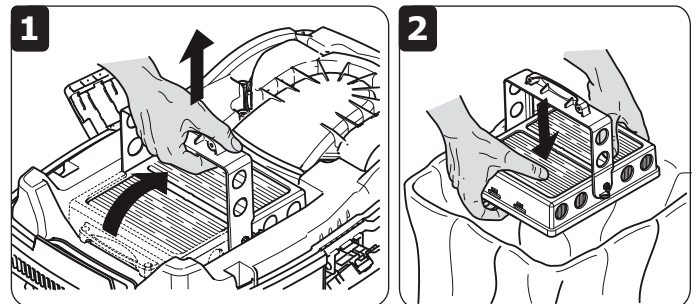
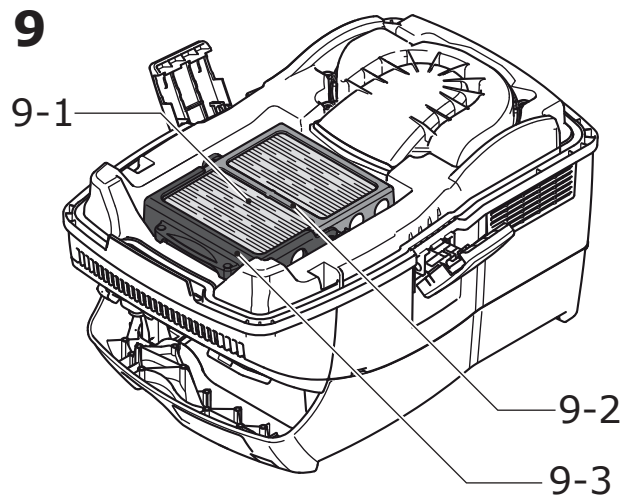
- ▶ Close the disposal bag.
- ▶ Remove the disposal bag.
- ▶ Dispose of the used disposal bag in accordance with statutory regulations.
- ▶ Clean the dust container [2-3].
- ▶ Replace the top section [2-1] and close the locking clips [2-2].

10.3 Changing the main filter

NOTICE

Motor damage

- ▶ Never operate the extractor without a main filter fitted as the motor may become damaged.
- ▶ Open the locking clips **[2-2]** and remove the top section of the machine **[2-1]**.
- ▶ Turn the top section of the machine so that the main filter is facing upwards (Fig.**[9]**).
- ▶ Fold over the lever **[9-3]** and remove the retainer **[9-2]**.
- ▶ Remove the used main filter **[9-1]** and replace with a new one.
- ▶ Dispose of the used main filter in accordance with statutory regulations.
- ▶ Insert the retainer **[9-2]** and fold over the lever **[9-3]** until it engages.
- ▶ Replace the top section **[2-1]** and close the locking clips **[2-2]**.



11 After finishing work

- ▶ Switch off the mobile dust extractor and disconnect the plug.
- ▶ Wind up the mains power cable.
- ▶ Empty the dust container.



CAUTION

Hazardous dust

Damage to the respiratory passage

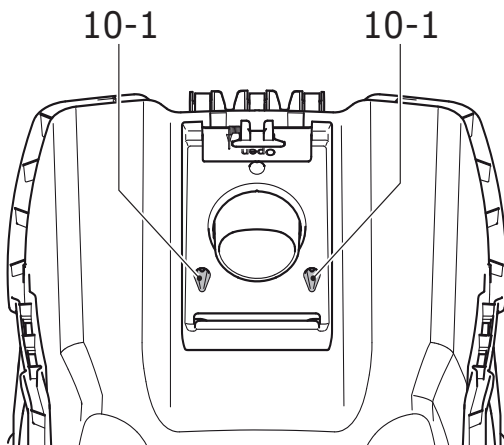
- ▶ Wipe down the mobile dust extractor and clean all accessories thoroughly using the extractor (inside and out) before removing from the working area.
 - ▶ Parts that you were not able to clean thoroughly must be sealed in an airtight plastic bag prior to transportation.
 - ▶ Wear a dust mask!
- ▶ Place the mobile dust extractor in a dry room inaccessible to unauthorised users.

11.1 Emptying the dust container

The dust container [2-3] can be emptied once the top section has been removed.

- ▶ After extracting fluids, clean the fill level sensors [10-1] regularly with a soft cloth and inspect for damage.

10



12 Service and maintenance



WARNING

Any maintenance or repair work that requires opening of the motor or gear housing should only be carried out by an authorised Customer Service Centre (name supplied by your dealer)!

- ▶ Maintenance or repair work carried out by an unauthorised person can lead to the wrong connection of the power leads or other components, which in turn can lead to accidents with serious consequences.



WARNING

To prevent accidents, always remove the plug from the power supply socket before carrying out any maintenance or repair work on the tool!

- ▶ Do not use compressed air to clean the electrical tool! Do not try to clean parts inside the tool in this way, as you could let foreign objects in through the openings of the tool housing.

A dust test must be performed at least once a year by the manufacturer or an instructed person. This test may include checks to determine whether the filter is damaged, the machine is sealed properly and the monitoring features are functioning correctly.

During maintenance and repair work, all components that cannot be cleaned satisfactorily must be replaced. The old components must be sealed in impermeable plastic bags prior to disposal in compliance with applicable regulations for this type of waste.



Customer service and repair only through manufacturer or service workshops: Please find the nearest address at: www.festoolusa.com/service



Use only original Festool spare parts! Order No. at: www.festoolusa.com/service

13 Accessories

Use only original Festool accessories and Festool consumable material intended for this machine because these components are designed specifically for the machine. Using accessories and consumable material from other suppliers will most likely affect the quality of your working results and limit any warranty claims. Machine wear or your own personal workload may increase depending on the application. Protect yourself and your machine, and preserve your warranty claims by always using original Festool accessories and Festool consumable material!

The accessory and tool order number can be found in the Festool catalog or on the Internet under www.festoolusa.com.






14 Disposal

Do not throw the power tool in your household waste!! Dispose of machines, accessories and packaging at an environmentally responsible recycling centre. Observe the valid national regulations.

Sommaire

1	Symboles.....	18
2	À propos de ce manuel.....	18
3	Consignes de sécurité.....	19
4	Caractéristiques techniques.....	23
5	Description fonctionnelle.....	24
6	Utilisation en conformité avec les instructions.....	24
7	Mise en service.....	24
8	Réglages.....	25
9	Mode de travail.....	26
10	Filtre.....	27
11	Après le travail.....	29
12	Entretien et maintenance.....	29
13	Accessoires.....	30
14	Recyclage.....	30






1 Symboles


Symbole	Signification
	Avertissement de danger
	Avertissement contre le risque d'électrocution
	Notice d'utilisation, lire les consignes de sécurité !
	Porter une protection respiratoire !
	Astuce, information

2 À propos de ce manuel

Conservez ces instructions

Il est important pour vous de lire et de comprendre ce manuel. Les informations qu'il contient, se rapporte à la protection **de votre sécurité**

	DANGER	Description du risque imminent et l'incapacité à éviter tout risque qui peut entraîner la mort.
	AVERTISSEMENT	Description des dangers possibles et des blessures qui en résultent ou la mort.
	ATTENTION	Description des dangers et des éventuelles blessures qui en résultent.
	AVIS	Déclaration incluant le type de danger et conséquences possibles.
	CONSEIL	Indique des informations, des notes ou des conseils pour améliorer votre succès en utilisant l'outil.

Symbole	Signification
▶	Consignes opératoires
W	watt
h	heure
min	minute
s	seconde
kg	kilogramme
Pa	pascal
dB	décibel
V	volt
A	ampère
Hz	hertz
~ a.c.	tension alternative
≡ d.c.	courant continu
n_0	Vitesse de rotation à vide
	Class II conception
.../min min ⁻¹	tours ou course par minute
"	pouce
lbs.	livre
∅	Diamètre

rité et de prévention des problèmes. Les symboles suivants sont utilisés pour vous aider à reconnaître cette information.

3 Consignes de sécurité



IMPORTANTES CONSIGNES DE SÉCURITÉ

Lors de l'utilisation d'un outil électrique, respectez les mesures fondamentales de précaution, y compris les points suivants :

LISEZ TOUTES LES INSTRUCTIONS

AVANT D'UTILISER LE PRESENT ASPIRATEUR:

⚠ AVERTISSEMENT - Afin de minimiser les risques d'incendie, de choc électrique et de blessures :

- Ne laissez pas l'aspirateur mobile sans surveillance lorsque celui-ci est branché. Débranchez l'aspirateur mobile si vous ne l'utilisez pas et avant de procéder à sa maintenance.
- Utilisez l'aspirateur mobile uniquement à l'intérieur.
- N'autorisez pas une utilisation de l'aspirateur mobile en tant que jouet. Soyez particulièrement attentif lorsque l'aspirateur mobile est utilisé par des enfants ou à proximité d'enfants.
- Utilisez l'aspirateur mobile uniquement conformément aux explications de la notice. Utilisez exclusivement les accessoires recommandés par le fabricant.
- N'utilisez pas l'aspirateur mobile avec un câble ou une fiche mâle endommagé. Si l'aspirateur mobile ne fonctionne pas normalement, s'il est tombé par terre, s'il a été endommagé, s'il a été laissé à l'air libre ou s'il est tombé dans l'eau, renvoyez-le à un atelier de réparation.
- Ne tirez ou ne portez pas l'appareil par le câble, n'utilisez pas le câble comme poignée, ne coinciez pas le câble dans des portes ou ne guidez pas le câble le long d'arêtes vives. Ne roulez pas avec l'aspirateur mobile sur le câble. Eloignez le câble de surfaces chaudes.
- Ne débranchez pas l'aspirateur mobile en tirant sur le câble. Pour débrancher, saisissez la fiche mâle, non le câble.
- Ne manipulez pas le câble ou l'aspirateur mobile avec des mains mouillées.
- Ne placez aucun objet dans les ouvertures. N'utilisez pas l'aspirateur mobile si les ouvertures sont bouchées ; gardez les ouvertures exemptes de poussière, de peluches, de cheveux et autres objets, qui pourraient diminuer le flux d'air.
- Gardez les cheveux, vêtements amples, doigts et toutes les parties du corps éloignés des ouvertures et des pièces mobiles.
- Coupez tout avant de débrancher l'aspirateur mobile.



IMPORTANTES CONSIGNES DE SÉCURITÉ

- Soyez particulièrement prudent lorsque vous nettoyez des escaliers.
- N'aspirez pas de liquides inflammables et explosibles, tels qu'essence, ou n'utilisez pas l'aspirateur mobile dans des zones où de tels liquides se trouvent.
- Branchez l'aspirateur mobile uniquement dans une prise de courant avec terre appropriée. Voir les instructions de mise à la terre.
- N'aspirez rien qui brûle ou fume, tels que cigarettes, allumettes ou cendre chaude, copeaux ou particules chauds, étincelles.
- N'utilisez pas l'aspirateur mobile sans sac à poussières et/ou filtre en place.

CONSERVEZ CES INSTRUCTIONS

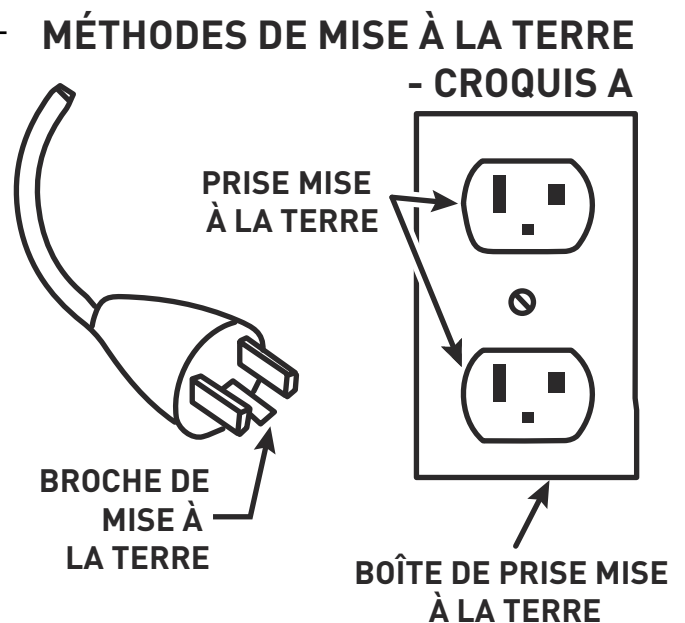
INSTRUCTIONS DE MISE A LA TERRE

Cet appareil doit être relié à la terre. En cas de défaut ou de panne de l'appareil, la mise à la terre assure le chemin le plus direct (avec la résistance la plus faible) pour le courant électrique, afin de minimiser le risque d'un choc électrique. Cet aspirateur mobile est équipé d'un câble possédant un conducteur de protection et une fiche mâle de sécurité ("Schuko"). La fiche mâle doit être branchée dans une prise de courant appropriée, qui est correctement installée et mise à la terre, conformément aux codes et ordonnances locaux.

AVERTISSEMENT

- Un mauvais raccordement du conducteur de protection peut entraîner un risque de choc électrique. Si vous n'êtes pas certain si la prise de courant est correctement reliée à la terre, faites vérifier cela par un électricien qualifié ou un chargé de maintenance. Ne modifiez pas la fiche mâle livrée avec l'aspirateur mobile – si la fiche mâle ne s'adapte pas dans la prise de courant, faites dans ce cas installer une prise de courant appropriée par un électricien.

Cette machine est conçue pour être utilisée sur un circuit nominal de 120 volts, et possède une prise de terre comme celle illustrée par le croquis A de l'illustration. Vérifiez que la prise du câble est connectée à une prise murale ayant la même configuration. Aucun adaptateur ne devrait être utilisé avec cet machine.



Instructions relatives à la polarisation

Afin de diminuer le risque de choc électrique, cet aspirateur mobile possède une fiche mâle polarisée (une broche est plus large que l'autre). La fiche mâle s'adapte uniquement dans un sens dans la prise de courant polarisée. Si la fiche mâle ne s'adapte pas correctement dans la prise de courant, tournez la fiche. Si, après cela, elle ne s'adapte toujours pas, demandez à un électricien d'installer une prise de courant appropriée. Ne remplacez en aucun cas la fiche mâle.

Consignes de sécurité additionnelles

- Cet appareil ne doit pas être utilisé par des personnes (y compris des enfants) aux capacités physiques, sensorielles ou mentales diminuées

ou manquant d'expérience et de connaissances. Il convient de surveiller **les enfants** afin de s'assurer qu'ils ne jouent pas avec l'appareil.



ATTENTION

Cette machine est uniquement prévue pour l'utilisation à l'intérieur. Cette machine ne peut être stockée qu'à l'intérieur.

- Cet appareil ne doit pas être utilisé par des personnes pouvant être sensibles à une décharge électrique (par ex. **des personnes avec stimulateur cardiaque**) étant donné qu'une charge statique de l'appareil ne peut être exclue.
- Utiliser uniquement le tuyau d'aspiration Festool d'origine.
- **Tenez les films d'emballage hors de portée des enfants.**
Sinon, ils risquent de s'étouffer.
- **Tenez compte de l'environnement de travail et veillez à votre sécurité et à celle des autres durant le transport ou l'utilisation de l'appareil.**
Vous éviterez ainsi par ex. des risques de trébuchement sur le tuyau d'aspiration ou le câble secteur.



AVERTISSEMENT!

Ne pas aspirer de braises ou autres sources d'étincelles. Ne pas utiliser avec des machines sources d'étincelles!

Selon la norme NFPA 484, ne pas collecter de matériaux incompatibles susceptibles de réagir avec les particules métalliques et ne pas utiliser l'extracteur de poussière pour collecter des matériaux pour lesquels il n'a pas été conçu. Sinon, le contenu de l'extracteur de poussière peut prendre feu.

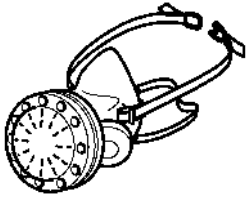
La poussière, un risque pour la santé



AVERTISSEMENT!

certaines poussières créées par le ponçage mécanique, le sciage, le meulage, le perçage et autres activités reliées à la construction contiennent des substances chimiques connues (dans l'État de la Californie) comme pouvant causer le cancer, des anomalies congénitales ou représenter d'autres dangers pour la reproduction. Voici quelques exemples de telles substances:

- plomb provenant de peintures à base de plomb,
- silice cristallisée utilisée dans les briques, le ciment et autres matériaux de maçonnerie, et
- arsenic et chrome du bois d'oeuvre traité avec un produit chimique.



Le risque d'exposition à de tels produits varie selon la fréquence à laquelle vous faites ce genre de travail. Pour réduire les risques d'exposition à ces substances chimiques : travaillez dans un endroit adéquatement ventilé et utilisez un équipement de sécurité approuvé, tel que masques antipoussières spécialement conçus pour filtrer les particules microscopiques.



AVERTISSEMENT

POUR RÉDUIRE LE RISQUE DE DOMMAGES, L'UTILISATEUR DOIT LIRE LE MANUEL D'INSTRUCTION.

4 Caractéristiques techniques

Aspirateurs mobiles		
Puissance absorbée (aspirateurs mobiles seulement)		2,9 - 8,3 A (350 - 1 000 W) ^[3]
Puissance connectée totale	max.	12 A (1 440 W)
Puissance max. de l'outil électrique connectée		3,7 A ^[4]
Débit volumique [air], turbine	max.	234 m ³ /h (8264 cu.ft./h)
Dépression, turbine	max.	24 000 Pa
Surface filtrante		5 300 cm ² (821,5 sq.in.)
Tuyau d'aspiration		27 mm x 3.5 m (1-1/16" x 11.5")
Degré de protection		IP X4
Niveau de pression acoustique selon IEC 60704-2-1		71 dB(A)
Volume de la cuve	CT 26 E	26 l (6.9 gal.)
	CT 36 E	36 l (9.5 gal.)
	CT 48 E	48 l (12.7 gal.)
Dimensions L x l x h	CT 26 E	630 x 365 x 540 mm (24.8" x 14.4" x 21.3")
	CT 36 E	630 x 365 x 596 mm (24.8" x 14.4" x 23.5")
	CT 48 E	715 x 392 x 680 mm (29.1" x 16.0" x 39.6")
Poids	CT 26 E	13 kg (28.6 lbs)
	CT 36 E	14.4 kg (31.8 lbs)
	CT 48 E	16.3 kg (35.9 lbs)

[3]) 8,3 A (1000 W) est la valeur moyenne de différentes conditions d'usage, une consommation de 10 A (1200 W) est possible.

[4]) Si le dispositif de régulation de la puissance d'aspiration [1-7] est ajusté à la force d'aspiration (voir page [Page 26](#), chap. 8 - 8.4) plus basse, la puissance maximale de l'outil électrique connectée peut être 9,1 A.

5 Description fonctionnelle

Des éléments fournis sont disponibles sur le volet qui se trouve au début de cette notice d'utilisation. Vous pouvez ainsi déplier cette page et visualiser en permanence les différentes parties de l'outil lorsque vous lisez la notice.

Les accessoires illustrés ou décrits ne sont partiellement pas contenus dans le volume de livraison.

- [1-1] Orifice d'aspiration
- [1-2] Fiche modulaire (module pneumatique pour CT 36 E LE)
- [1-3] Prise de l'appareil
- [1-4] Compartiment de rangement du tuyau
- [1-5] Poignée
- [1-6] SysDoc
- [1-7] Dispositif de régulation de la puissance d'aspiration
- [1-8] Interrupteur de l'appareil
- [1-9] Agrafe de fermeture
- [1-10] Cuve de collecte
- [1-12] Frein

6 Utilisation en conformité avec les instructions

Les aspirateurs mobiles sont appropriés de façon conforme aux prescriptions pour l'aspiration de poussières non dangereuses pour la santé.

L'aspirateur mobile est prévu de façon conforme aux prescriptions pour l'aspiration d'eau.

L'aspirateur mobile est approprié pour la commerciale.

L'aspirateur ne peut être utilisé qu'à l'intérieur.

Cet aspirateur a été testé et reconnu conforme à la norme EPA RRP. Le filtre HEPA a été testé et certifié conforme à la norme IEST RP-CC-001, ce qui signifie qu'il filtre et retient à au moins 99,97 % sans fuite de dérivation les particules de taille supérieure ou égale à 0,3 micron contenues dans l'air extrait.



AVERTISSEMENT

Seul l'utilisateur est tenu responsable des dommages qui résulteraient d'une utilisation non conforme aux prescriptions.

7 Mise en service



AVERTISSEMENT

Tension ou fréquence non admissible !

Risque d'accident

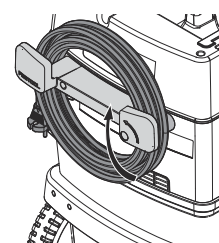
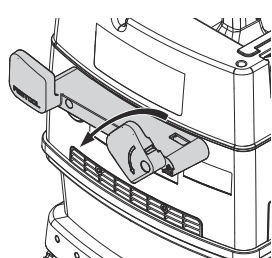
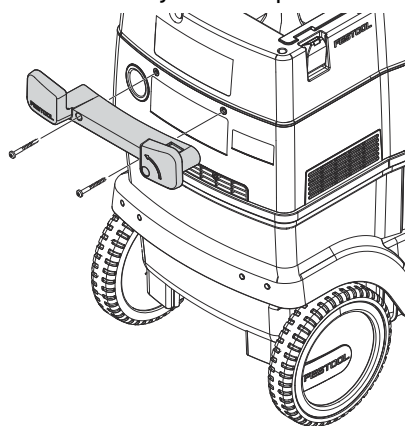
- ▶ La tension et la fréquence d'alimentation électrique doivent être conformes aux indications de la plaque signalétique.
- ▶ En Amérique du nord, utilisez uniquement les outils Festool fonctionnant sous une tension de 120 V/60 Hz.

Attention aux illustrations au début de la présente notice d'utilisation.

7.1 Première mise en service

- ▶ Ouvrir les clapets de fermeture [2-2] et retirer la partie supérieure de l'appareil [2-1].
- ▶ Retirez les accessoires de la cuve de collecte [2-3] et de l'emballage !
- ▶ Insérez un sac filtre dans la cuve de collecte (voir chapitre 10.1).
- ▶ Remontez la partie supérieure [2-1] et fermez les agrafes de fermeture [2-2].
- ▶ Montez l'enrouleur de câble sur la face arrière de l'aspirateur mobile (voir figure [3]).
- ▶ Raccordez le tuyau d'aspiration à l'appareil.

3



7.2 Marche/Arrêt

- ▶ Brancher la fiche secteur dans une prise de courant dotée d'une terre.



AVERTISSEMENT

Risques de blessures dus à un démarrage incontrôlé des outils

- ▶ Avant de commuter l'interrupteur en position "AUTO" ou "MAN", s'assurer que l'outil raccordé soit arrêté.

L'interrupteur **[1-3]** fait office d'interrupteur marche/arrêt (I = MARCHE, 0 = ARRÊT).

Position d'interrupteur "0"

La prise de l'appareil **[1-3]** est hors tension ; l'aspirateur mobile est désactivé.

Position d'interrupteur "MAN"

La prise de l'appareil **[1-3]** est hors tension ; l'aspirateur mobile démarre.

Position d'interrupteur "AUTO"

La prise de l'appareil **[1-3]** est sous tension ; l'aspirateur mobile démarre lors de la mise en marche de l'outil raccordé.

7.3 Rallonge électrique

Si une rallonge électrique est nécessaire, elle doit présenter une section suffisante afin d'éviter une chute de tension excessive ou une surchauffe. Une chute de tension excessive réduit la puissance et peut entraîner la destruction du moteur. Le tableau ci-dessous vous présente la section correcte de la rallonge en fonction de sa longueur pour cet appareil.

Longueur totale de la rallonge (pieds)	25	50	100	150
Section de la rallonge (AWG)	14	12	pas recommandé	

Utilisez exclusivement des rallonges recommandées par U.L. et CSA.

N'utilisez jamais deux rallonges raccordées l'une à l'autre, mais remplacez-les par une rallonge plus longue.

- ⓘ Plus le calibre AWG est bas, plus le câble est résistant.

7.4 Système antistatique

Lors de l'aspiration, il en résulte des charges d'électricité statique par frottement dans le tuyau d'aspiration. Ces charges peuvent se manifester par des chocs électriques désagréables pour l'opérateur. Pour dériver ces charges d'électricité statique, l'aspirateur mobile est équipé de série avec un système antistatique. À cet égard, il convient toutefois d'utiliser le tuyau d'aspiration antistatique fourni.

8 Réglages

Attention aux illustrations au début de la présente notice d'utilisation.

8.1 Raccordement d'un outil électrique



AVERTISSEMENT

Risques de blessures

- ▶ Respecter la valeur de raccordement max. à la prise de l'appareil (voir chapitre Caractéristiques techniques).
- ▶ Mettre l'outil électrique hors tension.
- ▶ Raccordement de l'outil électrique à la prise de l'appareil .

8.2 Raccordement d'un outil pneumatique



AVERTISSEMENT

Risques de blessures

- ▶ Mettre l'outil pneumatique hors tension.

Avec le montage du module d'air comprimé **[1-2]** (496141), le dispositif d'enclenchement automatique de l'aspirateur mobile fonctionne également en relation avec des outils pneumatiques.

Nous recommandons le montage supplémentaire de l'unité d'alimentation VE (495886). L'unité d'alimentation filtre et huile l'air comprimé, et permet de réguler la pression d'air. Une pièce de raccordement (454757) est disponible pour le raccordement d'outils pneumatiques Festool avec système IAS.

Afin de garantir un fonctionnement irréprochable du dispositif d'enclenchement automatique, la pression de service de l'outil doit être de 6 bars.

8.3 Protection thermique

Afin de protéger l'appareil contre une surtempérature, une protection thermique coupe l'aspirateur mobile avant d'atteindre une température critique.

- ▶ Afin de protéger l'appareil contre une surtempérature, une protection thermique coupe l'aspirateur mobile avant d'atteindre une température critique.
- ▶ Mettre l'aspirateur mobile hors tension et le laisser refroidir pendant env. 5 minutes.

- ⓘ Si l'aspirateur mobile ne peut ensuite pas être remis en marche, veuillez consulter un atelier du service après-vente Festool.

8.4 Régulation de la force d'aspiration

La puissance d'aspiration peut être réglée par le biais du dispositif de régulation de la puissance d'aspiration [1-7]. Ceci permet une adaptation précise à différentes tâches d'aspiration.

8.5 Manchon d'aspiration

La fonction by-pass du manchon d'aspiration empêche un effet ventouse avec les ponceuses et les buses pour sol sur les surfaces lisses.

Ouvrir

- Tourner la bague de réglage pour la mettre à la position « OPEN ».

Fermer

- Tourner la bague de réglage pour la mettre à la position « CLOSE ».

8.6 Serrage du frein

Le déplacement involontaire de l'aspirateur mobile est empêché en rabattant le levier de frein [1-12]. Pour ce faire, soulever légèrement l'aspirateur mobile à l'avant et presser le levier de frein vers le bas, jusqu'à ce qu'il s'enclenche. Pour desserrer le frein, pressez le levier [1-11].

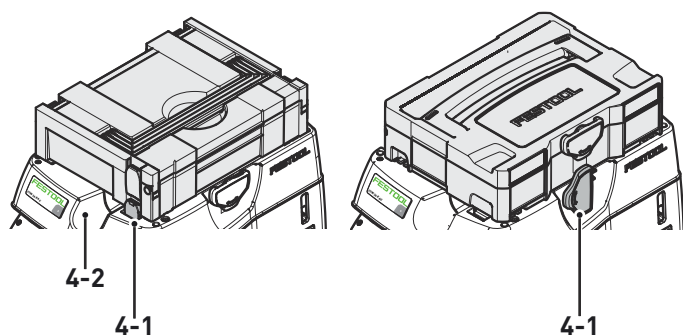
9 Mode de travail

9.1 Maniement

Rangement du tuyau : après le travail, vous pouvez guider le tuyau d'aspiration à travers l'ouverture [4-3] et le déposer dans le compartiment de rangement du tuyau. Vous pouvez guider le câble d'alimentation à travers l'ouverture [4-2] et le déposer également dans le compartiment de rangement du tuyau.

Insert Systainer SysDoc : un Systainer peut être fixé sur la surface de rangement au moyen des deux verrous [4-1].

4



9.2 Aspiration de substances sèches



ATTENTION

Poussières nocives pour la santé

Lésions des voies respiratoires

- Utilisez un sac filtre ou un sac d'élimination des déchets lors de l'aspiration de substances dangereuses !
- Utilisez l'appareil uniquement avec le système de surveillance du débit volumique activé.

Respectez le point suivant lors de l'aspiration de poussières générées par des outils électriques en fonctionnement :

Si l'air évacué est recyclé dans le local, un **taux de renouvellement d'air L** suffisant doit être présent dans le local. Afin de respecter les valeurs limites exigées, le débit volumique recyclé doit être au maximum de 50 % du débit volumique d'air frais (volume du local V_R x taux de renouvellement de l'air L_W). Respectez en outre les prescriptions régionales.

Attention : un filtre principal humide se colmate plus rapidement lorsque des matières sèches sont aspirées. C'est pourquoi le filtre principal devrait être séché ou remplacé par un filtre sec avant l'aspiration de poussières.

9.3 Aspirations de liquides



AVERTISSEMENT

Risques de blessures

- Il est interdit d'aspirer des liquides inflammables!

ⓘ L'élément filtre ne doit être utilisé que pour l'aspiration de substances sèches.

Retirer le sac filtre avant d'aspirer des liquides. (voir 10.1). Nous recommandons l'utilisation d'un filtre à liquides spécial.

L'aspiration est interrompue automatiquement en atteignant la hauteur de remplissage maximale.



ATTENTION

Emergence de mousse et de liquides

- Arrêtez immédiatement l'appareil et videz la cuve de collecte.



ATTENTION

Poussières nocives pour la santé

Lésions des voies respiratoires

- ▶ Après l'aspiration de liquides, retirer le filtre pour liquides et le remplacer par le filtre principal pour matières sèches.

10 Filtre



AVERTISSEMENT

Risques de blessures

- ▶ Pendant les opérations suivantes, veillez à ne pas générer plus de poussières qu'il ne faut. Avant d'enlever l'élément filtrant, humidifiez-le à l'aide d'un vaporisateur d'eau..

10.1 Remplacement du sac filtre

Remplacement du sac filtre (SC-FIS-CT 26/36/48)

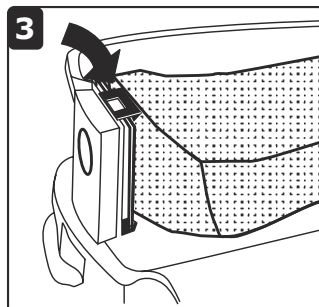
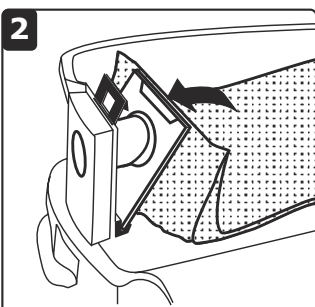
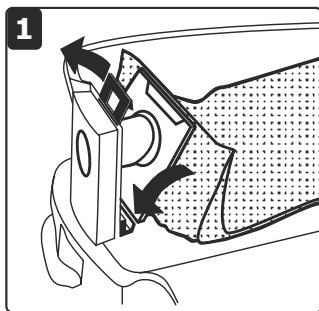
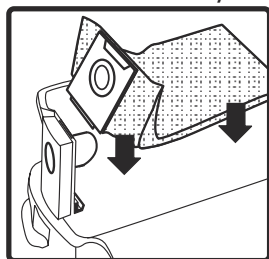
- ▶ Ouvrir les clapets de fermeture [2-2] et retirer la partie supérieure de l'appareil [2-1].
- ▶ Insérez un nouveau sac filtre (SC-FIS-CT 26/36/48) (figure [5]) in the inlet port of the dust container and interlock it. **Important:** Veillez à ce que le verrou s'enclenche.

i Assurez-vous de ne pas coincer le sac filtre entre la partie supérieure et la partie inférieure.

- ▶ Remontez la partie supérieure [2-1] et fermez les agrafes de fermeture [2-2].

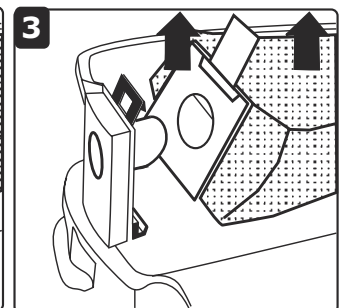
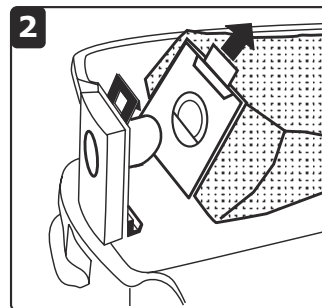
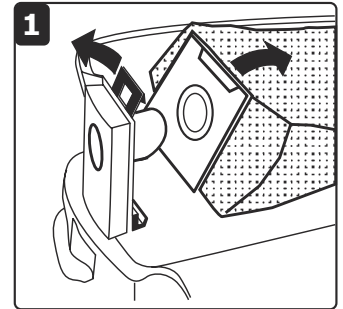
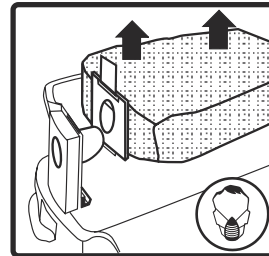
5

SC-FIS-CT 26/36/48



Retrait du sac filtre

- ▶ Ouvrir les clapets de fermeture [2-2] et retirer la partie supérieure de l'appareil [2-1].
- ▶ Retirez le sac filtre (figure [6]).
- ▶ Éliminez le sac filtre usagé conformément aux prescriptions légales.
- ▶ Nettoyez la cuve de collecte [2-3].
- ▶ Remontez la partie supérieure [2-1] et fermez les agrafes de fermeture [2-2].



6

10.2 Remplacement du sac d'élimination des déchets

Insertion du sac d'élimination des déchets [7]

- ▶ Ouvrir les clapets de fermeture [2-2] et retirer la partie supérieure de l'appareil [2-1].
- ▶ Placez un nouveau sac d'élimination des déchets (ENS-CT26/36/48) dans les orifices du réservoir et verrouillez ce dernier.

Important : les ouvertures latérales du sac d'élimination des déchets doivent être à l'intérieur de la cuve de collecte. Veillez à ce que le verrou s'enclenche.

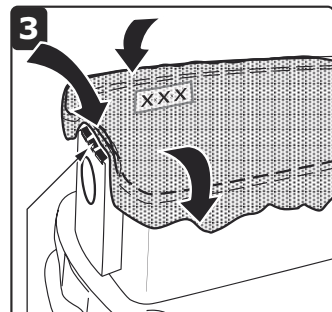
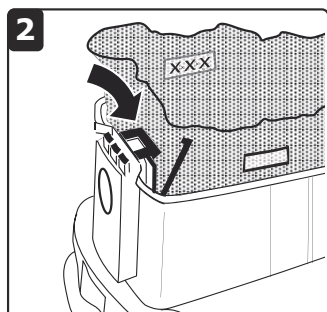
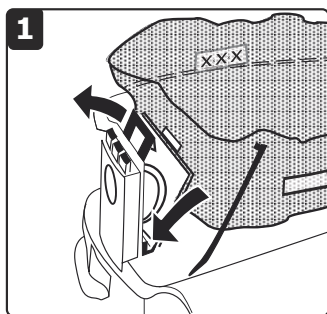
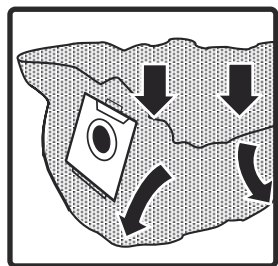
- ▶ Placez le sac d'élimination des déchets sur les rebords du réservoir.



Veillez à ce que les contacts [7-1] ne soient pas couverts.

- ▶ Remontez la partie supérieure [2-1] et fermez les agrafes de fermeture [2-2].

ENS-CT 26/36/48

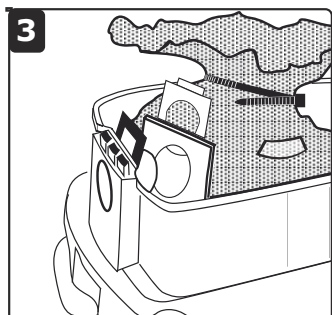
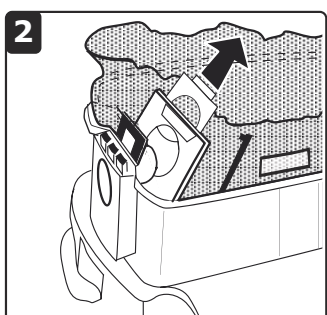
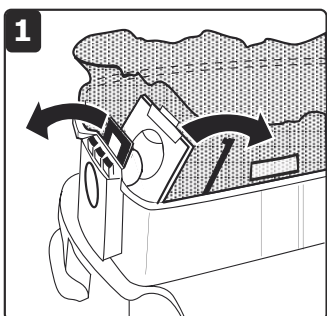
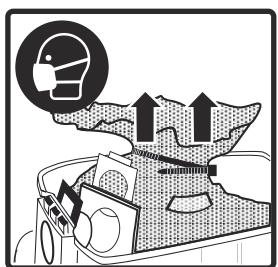


7

7-1

Retrait du sac d'élimination des déchets [8]

- ▶ Ouvrir les clapets de fermeture [2-2] et retirer la partie supérieure de l'appareil [2-1].
- ▶ Fermez le sac d'élimination des déchets.
- ▶ Retirez le sac d'élimination des déchets.
- ▶ Éliminez le sac d'élimination des déchets usagé conformément aux prescriptions légales.
- ▶ Nettoyez la cuve de collecte [2-3].
- ▶ Remontez la partie supérieure [2-1] et fermez les agrafes de fermeture [2-2].



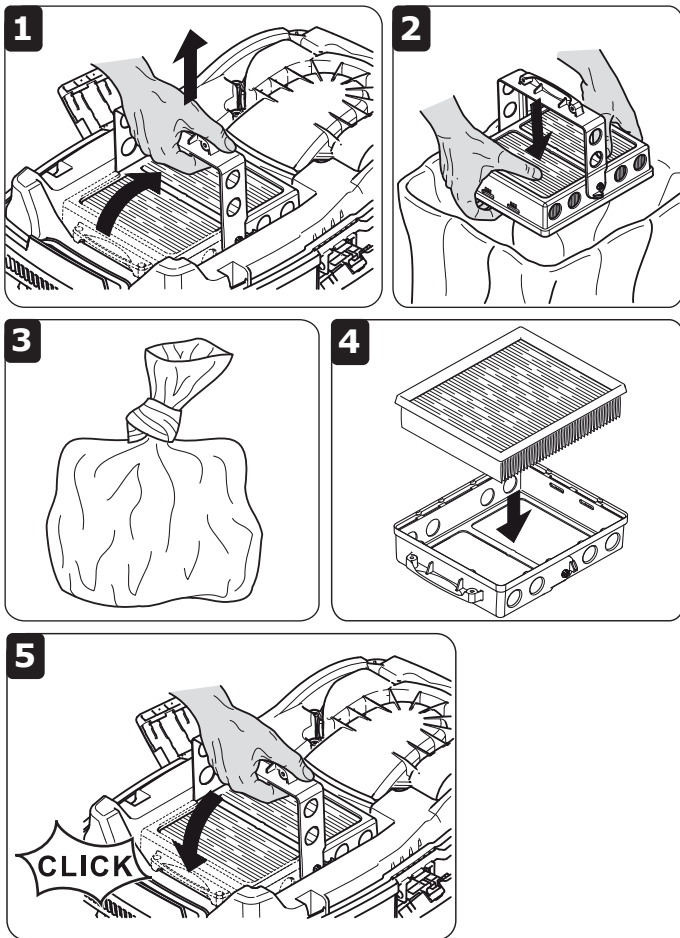
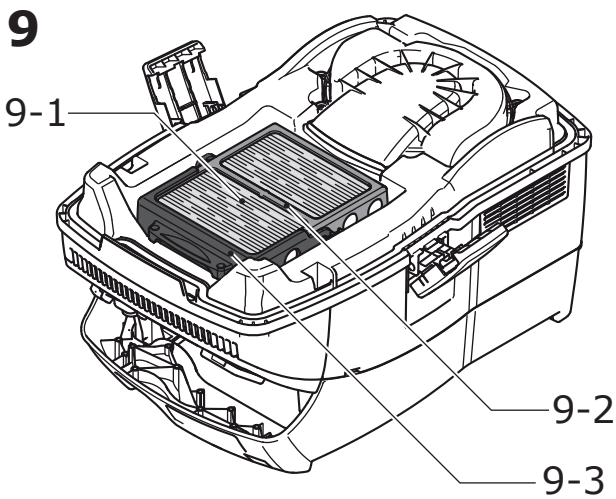
8

10.3 Remplacement du filtre principal

AVIS

Endommagement du moteur

- ▶ N'aspirez jamais alors que le filtre principal n'est pas monté : risque d'endommagement du moteur.
- ▶ Ouvrir les clapets de fermeture [2-2] et retirer la partie supérieure de l'appareil [2-1].
- ▶ Tournez la partie supérieure de l'appareil de manière à ce que le filtre principal soit dirigé vers le haut (figure [9]).
- ▶ Relevez la poignée [9-3] et retirez le support [9-2].
- ▶ Retirez le filtre principal usagé [9-1] et remplacez-le par un neuf.
- ▶ Éliminez le filtre principal usagé conformément aux prescriptions légales.
- ▶ Placez le support [9-2] et abaissez la poignée [9-3] jusqu'à ce qu'elle s'encliquette.
- ▶ Remontez la partie supérieure [2-1] et fermez les agrafes de fermeture [2-2].



11 Après le travail

- ▶ Mettre l'aspirateur hors tension et débrancher la fiche secteur.
- ▶ Enrouler le câble de raccordement secteur.
- ▶ Vidanger la cuve de collecte.

AVERTISSEMENT

Poussières nocives pour la santé

Lésions des voies respiratoires

- ▶ Nettoyez entièrement l'aspirateur mobile et tous les accessoires par aspiration et en les essuyant (à l'intérieur et à l'extérieur), avant de le retirer de la zone contaminée.
- ▶ Les composants qui ne peuvent pas être entièrement nettoyés doivent être enfermés hermétiquement pour le transport dans un sac en plastique.
- ▶ Portez une protection respiratoire !

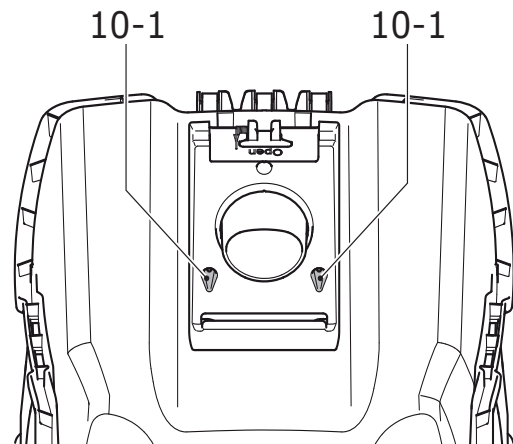
- ▶ Déposer l'aspirateur mobile dans un local sec et protégé contre toute utilisation non autorisée.

11.1 Vidage de la cuve de collecte

Après avoir retiré la partie supérieure, la cuve de collecte [2-3] peut être vidée.

- ▶ Après l'aspiration de liquides, nettoyez régulièrement les capteurs de niveau [10-1] à l'aide d'un chiffon doux et examinez leur état.

10



12 Entretien et maintenance

AVERTISSEMENT

Tout travail de maintenance ou de réparation, qui nécessite l'ouverture du moteur ou du carter d'engrenages doit uniquement être effectué par un centre service-client autorisé (nom fourni par votre revendeur) !

- ▶ Les travaux de maintenance ou de réparation effectués par un personnel non autorisé peuvent conduire à la mauvaise connexion de câbles d'alimentation ou d'autres composants, ce qui peut entraîner à son tour des accidents avec des conséquences graves.



AVERTISSEMENT

Pour éviter les accidents, retirez toujours la fiche mâle de la prise d'alimentation électrique avant d'effectuer tout travail de maintenance ou de réparation sur la machine !

- N'utilisez pas d'air comprimé pour nettoyer l'outil électrique ! N'essayez pas de nettoyer des parties à l'intérieur de la machine de cette façon, étant donné que des corps étrangers pourraient pénétrer dans les ouvertures du carter de la machine.

Observez les consignes suivantes :

- Un contrôle technique doit être effectué au moins une fois par an par le fabricant ou une personne instruite (endommagement du filtre, étanchéité de l'appareil et fonctionnement des dispositifs de contrôle, etc.).
- Ce qui ne peut pas être nettoyé, doit être éliminé. À cet effet, utiliser des sacs imperméables. Respecter les consignes relatives à l'élimination en vigueur !



Seuls le fabricant et un atelier homologué sont habilités à effectuer **toute réparation ou service**. Les adresses à proximité sont disponibles sur: www.festoolusa.com/service



Utilisez uniquement des pièces de rechange Festool d'origine. Référence sur: www.festoolusa.com/service

13 Accessoires

Utilisez uniquement les accessoires Festool et consommables Festool d'origine prévus pour cette machine, car ces composants systèmes sont parfaitement adaptés les uns par rapport aux autres. Si vous utilisez des accessoires et consommables d'autres marques, la qualité du résultat peut être dégradée et les recours en garantie peuvent être soumis à des restrictions. L'usure de la machine ou votre charge personnelle peuvent augmenter selon chaque application. Pour cette raison, protégez-vous, votre machine et vos droits à la garantie en utilisant

exclusivement des accessoires Festool et des consommables Festool d'origine !

Les références des accessoires et des outils figurent dans le catalogue Festool ou sur Internet sous "www.festoolusa.com".







14 Recyclage


Ne jetez pas les outils électriques avec les ordures ménagères! Éliminez les appareils, les accessoires et les emballages de façon compatible avec l'environnement. Respectez en cela les dispositions nationales en vigueur .

Índice de contenidos

1	Símbolos.....	31
2	Sobre este manual.....	31
3	Indicaciones de seguridad.....	32
4	Datos técnicos.....	36
5	Descripción de las funciones.....	36
6	Uso conforme a lo previsto.....	37
7	Puesta en servicio.....	37
8	Ajustes.....	38
9	Trabajo.....	39
10	Filtro.....	40
11	Al finalizar el trabajo.....	42
12	Mantenimiento y cuidado.....	43
13	Accesorios.....	43
14	Reciclaje.....	43

1 Símbolos

Símbolo	Significado
	Aviso de peligro general
	Peligro de electrocución
	¡Leer el manual de instrucciones y las indicaciones de seguridad!
	¡Utilizar protección respiratoria!
	Consejo, indicación
	Guía de procedimiento






Símbolo	Significado
W	vatios
h	horas
min	minutos
s	segundos
kg	kilogramo
Pa	pascal
dB	decibelio
V	voltios
A	amperios
Hz	hertzios
~ a.c.	tensión alterna
≡ d.c.	tensión continua
n_0	revoluciones por minuto en vacío
	Clase II Construcción
rpm	revoluciones por minuto
min^{-1}	revoluciones por minuto
"	pulgada
lbs.	libras
\varnothing	diámetro

2 Sobre este manual

Guarde estas instrucciones

Es importante que usted lea y entienda este manual. La información que contiene se relaciona con la protección de **su seguridad** y la

prevención de problemas. Los símbolos que siguen se utilizan para ayudarlo a reconocer esta información.

	PELIGRO	Descripción de peligro inminente y fracaso para evitar riesgos que podran causar la muerte.
	ADVERTENCIA	Descripción de peligro y posibles lesiones resultantes o la muerte.
	PRECAUCIÓN	Descripción de peligro y posibles lesiones resultantes.
	AVISO	Declaración incluyendo el tipo de riesgo y posible resultados.
	CONSEJO	Indica informaciones, notas, o consejos para mejorar su éxito con la herramienta.

3 Indicaciones de seguridad



INDICACIONES DE SEGURIDAD IMPORTANTES

Observe las medidas básicas de precaución siempre que utilice una máquina eléctrica, incluidas las siguientes:

LEA TODAS LAS INSTRUCCIONES

ANTES DE UTILIZAR EL SISTEMA DE ASPIRACIÓN:

⚠ ADVERTENCIA - Para disminuir el riesgo de incendio, de descargas eléctricas y de lesiones:

- Tenga el sistema móvil de aspiración siempre vigilado mientras esté enchufado. Desenchufe el sistema móvil de aspiración cuando no lo utilice y cuando vaya a efectuar el mantenimiento.
- Solamente utilice el sistema móvil de aspiración en el interior.
- No permita que el sistema móvil de aspiración se utilice como juguete. Preste especial atención si los niños utilizan el sistema móvil de aspiración o cuando se use estando ellos cerca.
- Aplique el sistema móvil de aspiración únicamente como se describe en las instrucciones. Utilice exclusivamente accesorios recomendados por el fabricante.
- No utilice el sistema móvil de aspiración si el cable o el enchufe está deteriorado. Si el sistema móvil de aspiración no funciona como debiera, si se ha caído, está dañado, se ha dejado a la intemperie o sumergido en agua, llévelo a un taller para su reparación.
- No tire del cable ni lo utilice como asidero para desplazar el aspirador; procure que el cable no quede aprisionado en las puertas ni roce bordes cortantes. No pase el sistema móvil de aspiración por encima del cable. Mantenga el cable alejado de superficies calientes.
- No desenchufe el sistema móvil de aspiración tirando del cable. Tire siempre del enchufe, no del cable.
- No manipule el cable ni el sistema móvil de aspiración con las manos mojadas.
- No introduzca ningún objeto en las aberturas. No utilice el sistema móvil de aspiración si hay alguna abertura obstruida; mantenga las aberturas limpias de polvo, hilachas, pelos o cualquier otra cosa que pueda reducir el flujo de aire.
- Mantenga el pelo, la ropa holgada, los dedos o cualquier otra parte del cuerpo alejados de las aberturas y de las piezas en movimiento.
- Apáguelo todo antes de desenchufar el sistema móvil de aspiración.



INDICACIONES DE SEGURIDAD IMPORTANTES

- Tenga especial precaución cuando pase el aspirador en escaleras.
- No recoja líquidos inflamables o explosivos, como puede ser la gasolina, ni utilice el sistema móvil de aspiración en zonas donde se encuentren estos líquidos.
- Enchufe el sistema móvil de aspiración sólo en una caja de contacto adecuada que disponga de conexión a tierra. Véanse las instrucciones para la puesta a tierra.
- No recoja ningún objeto que arda o humee, como cigarrillos, fósforos o ceniza caliente, virutas a rojo vivo o partículas calientes, chispas.
- No utilice el sistema móvil de aspiración si el saco para polvo y/o el filtro está desmontado.

GUARDE ESTAS INSTRUCCIONES

INSTRUCCIONES PARA LA PUESTA A TIERRA

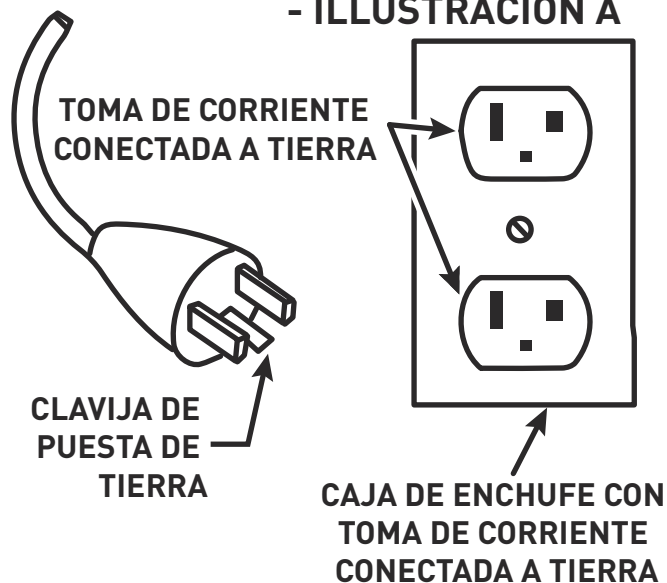
Esta máquina requiere una puesta a tierra. En caso de tener un fallo o una avería, la puesta a tierra proporciona el recorrido más corto de resistencia para la corriente eléctrica reduciendo así el peligro de recibir una descarga eléctrica. El sistema móvil de aspiración está equipado con un cable que tiene conductor de protección y enchufe Schuko. El enchufe debe conectarse en una caja de contacto adecuada que esté correctamente instalada y puesta a tierra de acuerdo con los códigos y disposiciones locales.

⚠️ ADVERTENCIA

- Una conexión incorrecta del conductor de protección puede conllevar peligro de descarga eléctrica. Si no está seguro de si la caja de contacto está puesta a tierra, haga que lo compruebe un electricista especializado o un operario de mantenimiento. No modifique el enchufe con el que se suministra el sistema móvil de aspiración; si el enchufe no se ajusta a la caja de contacto, es conveniente que un técnico electricista instale una caja de contacto apropiada.

Este sistema de aspiración se debe usar en un circuito nominal de 120 voltios y tiene un enchufe de conexión a tierra que se ve como el que aparece en la ilustración A al lado. Asegúrese que el sistema esté conectado a un toma-corriente que tenga la misma configuración que el enchufe. No deben utilizarse adaptadores con este sistema.

MÉTODOS DE PUESTA A TIERRA - ILLUSTRACIÓN A



Instrucciones sobre la polarización

Este sistema móvil de aspiración tiene un enchufe polarizado (una clavija es más ancha que la otra) para reducir el riesgo de recibir una descarga eléctrica. El enchufe sólo se puede insertar en una dirección en la caja de contacto polarizada. Si el enchufe no entra en la caja de contacto, gírelo. Si esta medida tampoco da resultado, llame a un técnico electricista para instalar una caja de contacto apropiada. En ningún caso debe cambiar el enchufe.

Indicaciones de seguridad adicionales

- Esta herramienta no debe ser utilizada por personas (incluidos los niños) que por razones físicas, sensoriales o psíquicas, inexperiencia o

desconocimiento no estén capacitadas para su uso. Debe vigilarse a **los niños** para evitar que jueguen con la herramienta.



PRECAUCIÓN

Esta herramienta solo es apropiada para el uso en interiores. Esta herramienta solo debe guardarse en interiores.

- Dado que no se puede descartar que esta herramienta genere una carga estática, no debe ser utilizada por personas que pudieran sufrir reacciones a descargas eléctricas (p. ej., **personas con marcapasos**).
- Utilice solo el tubo flexible de aspiración original de Festool.
- **Mantenga las láminas de embalaje fuera del alcance de los niños.** Existe peligro de asfixia.
- **Tenga en cuenta el entorno de trabajo y preste atención a su propia seguridad y a la de terceros al transportar el dispositivo o al trabajar con él.**

De este modo, evitará el riesgo de tropiezos, p. ej., con el tubo flexible de aspiración o la conducción de red.

¡ADVERTENCIA!

No aspire ascuas ni otras fuentes de ignición. No utilice en combinación con máquinas que puedan desprender chispas.

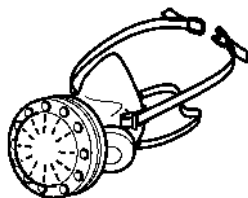
De acuerdo con la NFPA 484, no recoja materiales incompatibles que puedan reaccionar con las partículas de metal y no utilice el extractor de polvo para recoger materiales para los cuales no esté diseñado. De lo contrario, el contenido del extractor de polvo podría incendiarse.

Riesgos para la salud producidos por el polvo

ADVERTENCIA!

algunos polvos creados por lijadoras motorizadas, aserraderos, trituradores, perforadoras y otras actividades de construcción contienen sustancias químicas que se sabe (en el Estado de California) causan cáncer, defectos de nacimiento u otros daños al sistema reproductivo. Algunos ejemplos de estas sustancias químicas son:

- Plomo de las pinturas con base de plomo
- Sílice cristalino de los ladrillos y cemento y otros productos de mampostería, y
- Arsénico y cromo de madera tratada con sustancias químicas



El riesgo de exposición a estas sustancias varía, dependiendo de cuantas veces se hace este tipo de trabajo. Para reducir el contacto con estas sustancias químicas: trabaje en un área con buena ventilación y trabaje con equipo de seguridad aprobado, como mascarillas para el polvo diseñadas específicamente para filtrar partículas microscópicas.



ADVERTENCIA

PARA REDUCIR EL RIESGO DE LESIÓN, EL USUARIO DEBE LEER EL MANUAL DE INSTRUCCIÓN.

4 Datos técnicos

Sistemas móviles de aspiración CT 26 E, CT 36 E, CT 48 E		
Consumo de potencia (sistema móvil de aspiración solamente)		2.9 - 8.3 A (350 - 1000 W) ^{[5].}
Consumo nominal total	máx.	12 A (1440 W)
Potencia max. de herramienta eléctrica acoplada		3.7 A ^{[6].}
Caudal de aire (volumen), turbina	máx.	234 m ³ /h (8264 pies ³ /h)
Depresión, turbina	máx.	24000 Pa
Superficie del filtro		5300 cm ² (821.5 pulg. ²)
Nivel de intensidad sonora según IEC 60704-2-1		71 dB(A)
Tubo flexible de aspiración		27 mm x 3.5 m (1-1/16" x 11.5')
Tipo de protección		IP X4
Capacidad del depósito	CT 26 E	26 l (6.9 gal.)
	CT 36 E	36 l (9.5 gal.)
	CT 48 E	48 l (12.7 gal.)
Dimensiones (L x An x Al)	CT 26 E	630 x 365 x 540 mm (24.8" x 14.4" x 21.3")
	CT 36 E	630 x 365 x 596 mm (24.8" x 14.4" x 23.5")
	CT 48 E	715 x 392 x 680 mm (29.1" x 16.0" x 39.6")
Peso	CT 26 E	13 kg (28.6 lbs)
	CT 36 E	14.4 kg (31.8 lbs)
	CT 48 E	16.3 kg (35.9 lbs)

5 Descripción de las funciones

Las imágenes con la dotación de suministro se encuentran en una hoja desplegable al comien-

zo de este manual de instrucciones. Cuando lea este manual, le recomendamos que despliegue

[5]) 8,3 A (1000 W) es el valor medio de condiciones de trabajo, un consumo de potencia de 10 A (1200 W) es posible.

[6]) Si la regulación de la capacidad de aspiración [1-7] esta ajustada a la capacidad de aspiración (véase pagina [Página 39](#), capítulo [8 - 8.4](#)) mínima, la potencia máxima de la herramienta eléctrica acoplada puede ser 9,1 A.

esta página para disponer fácilmente de una vista general de la máquina.

Los accesorios representados o descritos no forman parte íntegra de la dotación de suministro.

- [1-1] Orificio de aspiración
- [1-2] Ranura de conexión para módulo
- [1-3] Caja de contacto de la máquina
- [1-4] Compartimento para tubos flexibles
- [1-5] Empuñadura
- [1-6] SysDoc
- [1-7] Regulación de la capacidad de aspiración
- [1-8] Interruptor
- [1-9] Pinzas de cierre
- [1-10] Depósito para la suciedad
- [1-12] Freno

6 Uso conforme a lo previsto

Los sistemas móviles de aspiración están indicados conforme a las normas para succionar y aspirar polvo perjudicial para la salud, suciedad, arena, virutas, etc.

Este sistema móvil de aspiración ha sido diseñado conforme a las normas para aspirar agua. Este sistema móvil de aspiración es apropiado para el uso, commercial.

El sistema móvil de aspiración solo es apto para interiores.

Este extractor se ha probado en conformidad con EPA RRP. El filtro HEPA ha sido probado y certificado en conformidad con IEST RP-CC-001, para filtrar y expulsar partículas de aire de 0,3 micras con una eficiencia mínima de 99,97 % y sin fugas por bypass.



ADVERTENCIA

El usuario responde de los daños y accidentes que puedan derivarse de un uso no conforme a lo previsto.

7 Puesta en servicio



ADVERTENCIA

Tensión o frecuencia no permitida

Peligro de caída

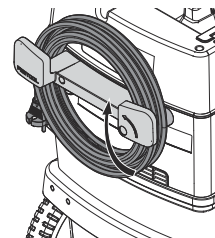
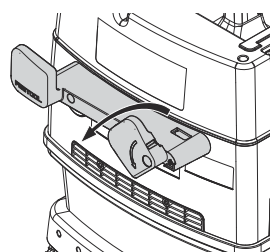
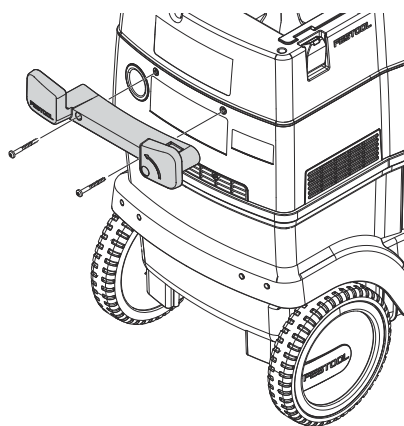
- La tensión de red y la frecuencia de la red eléctrica deben coincidir con los datos que figuran en la placa de tipo.
- En Norteamérica sólo las máquinas Festool pueden utilizarse con una tensión de 120 V/60 Hz.

Tenga en cuenta las imágenes al principio del manual.

7.1 Primera puesta en servicio

- Abra los enganches de sujeción [2-2] y retire la parte superior del aparato [2-1].
- ¡Retire los accesorios del depósito para la suciedad [2-3] y el embalaje!
- Coloque una bolsa filtrante en el depósito para la suciedad (véase el capítulo 10.1).
- Vuelva a colocar la parte superior [2-1] y cierre las pinzas correspondientes [2-2].
- Monte el enrollables en la parte trasera del sistema móvil de aspiración (véase la figura [3]).

3



- Conecte el tubo flexible de aspiración a la herramienta.

7.2 Conexión y desconexión

- Conectar el enchufe a una caja de contacto con protección de puesta a tierra.



PRECAUCIÓN

Peligro de lesiones a causa de herramientas eléctricas sin control

- Antes de girar el interruptor a la posición "AUTO" o "MAN", asegúrese de que la herramienta eléctrica conectada esté apagada.

El interruptor de la máquina **[1-8]** se utiliza como interruptor de conexión y desconexión. Presenta tres posiciones:

Posición "0" del interruptor

La caja de contacto de la máquina **[1-3]** no recibe corriente, el sistema móvil de aspiración está apagado.

Posición "MAN" del interruptor

La caja de contacto de la máquina **[1-3]** no recibe corriente, el sistema móvil de aspiración arranca.

Posición "Auto" del interruptor

La caja de contacto de la máquina **[1-3]** es conductora de corriente, el sistema móvil de aspiración arranca al encender la herramienta conectada.


7.3 Alargador

Si fuera necesario utilizar un alargador, éste deberá estar provisto de una sección transversal suficiente como para evitar una pérdida excesiva de voltaje o que se produzca un sobrecalentamiento. Una pérdida excesiva de voltaje reduce el rendimiento y puede causar el fallo del motor. La tabla que aparece a continuación indica el diámetro correcto del cable en función de la longitud del cable de ésta máquina.

Longitud total del cable alargador (pie)	25	50	100	150
Dimensiones del cable (AWG)	14	12	10	8

Use sólo los alargadores U.L. y CSA que figuran en la relación.

No utilice nunca dos alargadores juntos. Se recomienda usar un solo cable largo.

-  Cuanto menor sea el número AWG, más fuerte será el cable.

7.4 Sistema antiestático

Durante la aspiración se generan cargas estáticas a causa del rozamiento que se produce en el tubo flexible de aspiración. Como consecuencia, el personal que maneja la herramienta puede sufrir desagradables descargas eléctricas.

Con el objeto de desviar las cargas estáticas, el sistema móvil de aspiración está equipado de serie con un sistema antiestático. Para ello, se debe utilizar el tubo flexible de aspiración antiestático incluido en la dotación de suministro de la herramienta.

8 Ajustes

Tenga en cuenta las imágenes al principio del manual.

8.1 Conexión de la herramienta eléctrica



ADVERTENCIA

Peligro de lesiones

- Observar el consumo nominal máximo en la caja de contacto de la máquina (véase el capítulo "Datos técnicos").
- Desconectar la herramienta eléctrica.
- Conectar la herramienta eléctrica a la caja de contacto de la máquina.

8.2 Conexión de la herramienta neumática



ADVERTENCIA

Peligro de lesiones

- Desconectar la herramienta neumática.

Si se monta el módulo neumático **[1-2]** (496141), la conexión automática del sistema móvil de aspiración funciona también en combinación con herramientas neumáticas.

Asimismo, recomendamos el montaje adicional de la unidad de alimentación VE (495886). La unidad de alimentación filtra y engrasa el aire comprimido y permite regular la presión neumática. Para conectar herramientas neumáticas de Festool con el sistema IAS se requiere una pieza de empalme IAS (454757).

A fin de garantizar un buen funcionamiento de la conexión automática, la presión de servicio de la herramienta debe ser de 6 bar.

8.3 Protector contra sobretemperatura

A fin de proteger el sistema móvil de aspiración ante un sobrecalentamiento, el protector contra sobretemperatura desconecta la herramienta antes de alcanzar una temperatura crítica.

- A fin de proteger el sistema móvil de aspiración ante un sobrecalentamiento, el protector contra sobretemperatura desconecta la herramienta antes de alcanzar una temperatura crítica.

- ▶ Apague el sistema móvil de aspiración y deje que se enfríe durante aprox. 5 minutos.

i Si el sistema móvil de aspiración no puede volverse a encender, consulte a un taller de servicio de Festool.

8.4 Regulación de la capacidad de aspiración

La potencia de aspiración se puede ajustar a través del interruptor de regulación de la capacidad de aspiración **[1-7]**. De esta manera puede adaptarse con precisión a diferentes trabajos de aspiración.

8.5 Manguito de aspiración

La función de bypass del manguito de aspiración impide la aspiración de las lijadoras y las boquillas para suelos en superficies lisas.

Abrir

- ▶ Girar el anillo de ajuste para situarlo en la posición "OPEN".

Cerrar

- ▶ Girar el anillo de ajuste para situarlo en la posición "CLOSE".

8.6 Bloqueo del freno

El sistema móvil de aspiración se puede bloquear accionando la palanca de freno **[1-12]**. Para ello, levantar ligeramente el sistema móvil de aspiración por la parte delantera y presionar la palanca de freno hacia abajo hasta que enclave. Presione la palanca para soltar el freno **[1-11]**.

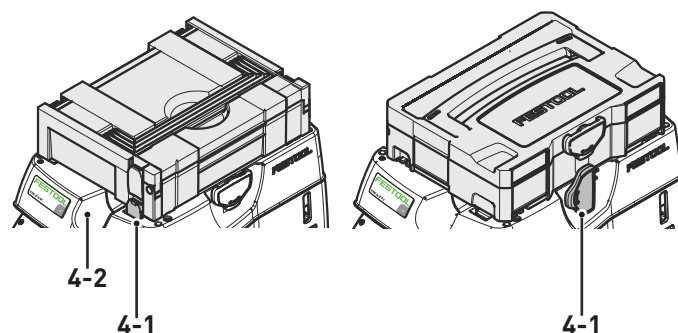
9 Trabajo

9.1 Manejo

Compartimento para tubos flexibles: al concluir el trabajo se puede pasar el tubo flexible de aspiración a través de la abertura **[4-3]** y guardarlo en el compartimento correspondiente. Igualmente puede conducir el cable de red por la abertura **[4-2]** y guardarlo en el compartimento para tubos flexibles.

Bandeja SysDoc para Systainer: en la superficie de bandeja se puede fijar un Systainer con las dos correderas **[4-1]**.

4



9.2 Aspiración de sustancias secas



PRECAUCIÓN

Polvo perjudicial para la salud Daños en las vías respiratorias

- ▶ ¡Cuando aspire sustancias perjudiciales para la salud, utilice una bolsa filtrante o una bolsa de evacuación!
- ▶ Utilice la herramienta solo con el control del caudal de aire en funcionamiento.

Tenga en cuenta cuando aspire el polvo que se desprende de las herramientas eléctricas en funcionamiento:

Si el aire de salida refluye a la misma habitación, debe darse en esta un **nivel de renovación del aire L** suficiente. Con objeto de mantener los valores límite exigidos, el caudal de aire que refluye debe ser como máximo el 50% del caudal de aire fresco (volumen en el ambiente V_R x nivel de renovación del aire L_W). Respete además las disposiciones regionales.

Atención: un filtro principal húmedo se obstruye más rápidamente al aspirar sustancias secas. Por ese motivo, es aconsejable dejar secar el filtro principal o sustituirlo por uno seco antes de aspirar polvo.

9.3 Aspiración de líquidos



ADVERTENCIA

Peligro de lesiones

- ▶ ¡No está permitido aspirar / succionar líquidos inflamables!

i El elemento filtrante sólo debe utilizarse para aspirar sustancias secas.

Antes de proceder a la succión de líquidos se tiene que retirar siempre la bolsa filtrante (véase 10.1). Se recomienda el empleo de un filtro húmedo especial.

Cuando se alcanza el nivel de llenado máximo, la aspiración se interrumpe automáticamente.



PRECAUCIÓN

Espuma o líquidos que sobresalen

- ▶ Desconecte la herramienta de inmediato y vacíe el depósito para la suciedad.



PRECAUCIÓN

Polvos perjudiciales para la salud

Daños en las vías respiratorias

- ▶ Después de aspirar en mojado, retirar el filtro húmedo y sustituirlo por el filtro principal para sustancias secas.

10 Filtro



ADVERTENCIA

Peligro de lesiones

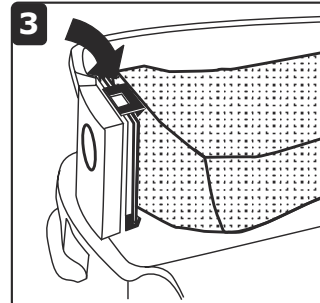
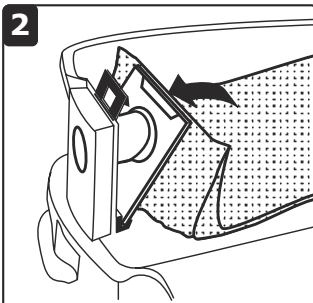
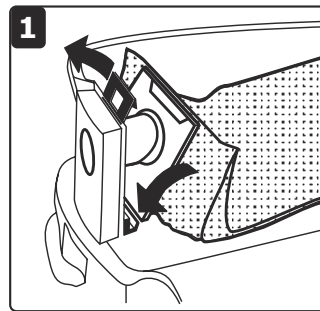
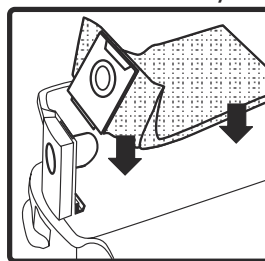
- ▶ Procure no levantar más polvo del necesario cuando realice las tareas que se describen a continuación. Humedezca el elemento filtrante con un rociador de agua antes de retirarlo.

10.1 Sustitución de la bolsa filtrante

Sustitución de la bolsa filtrante (SC-FIS-CT 26/36/48)

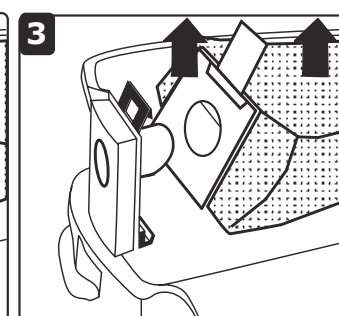
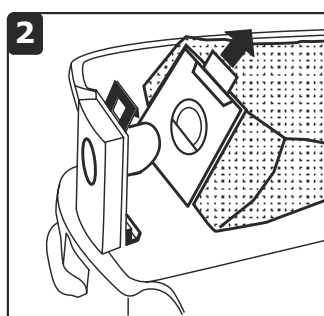
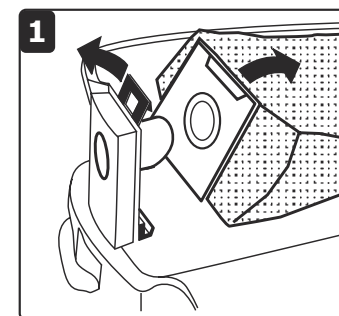
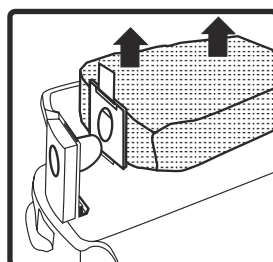
- ▶ Abra los enganches de sujeción [2-2] y retire la parte superior del aparato [2-1].
 - ▶ Coloque una nueva bolsa filtrante (SC-FIS-CT 26/36/48) (figura [5]). **Importante:** Asegúrese de que el pestillo se enclave.
- (i) Asegúrese de que la bolsa filtrante no se enganche entre las partes superior e inferior.
- ▶ Vuelva a colocar la parte superior [2-1] y cierre las pinzas correspondientes [2-2].

5 SC-FIS-CT 26/36/48



Extracción de la bolsa filtrante [6]

- ▶ Abra los enganches de sujeción [2-2] y retire la parte superior del aparato [2-1].
- ▶ Retire la bolsa filtrante (Fig. [6]).
- ▶ Elimine la bolsa filtrante usada teniendo en cuenta las disposiciones vigentes aplicables.



6

- ▶ Limpie el depósito para la suciedad [2-3].
- ▶ Vuelva a colocar la parte superior [2-1] y cierre las pinzas correspondientes [2-2].

10.2 Cambio de la bolsa de evacuación


Inserción de la bolsa de evacuación [7]

- ▶ Abra los enganches de sujeción [2-2] y retire la parte superior del aparato [2-1].

- ▶ Introduzca una nueva bolsa de evacuación (ENS-CT26/36/48) en el empalme del depósito y bloquéelo.

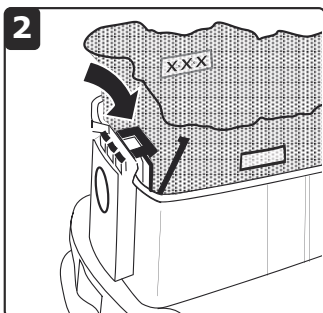
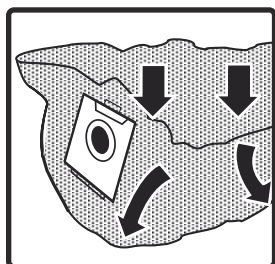
Importante: los orificios laterales de la bolsa de evacuación deben estar dentro del depósito para sujeción. Asegúrese de que el pestillo se enclava.

- ▶ Coloque la bolsa de evacuación por encima del borde del depósito.

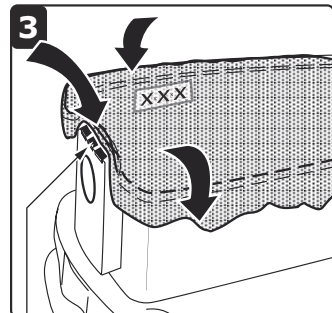
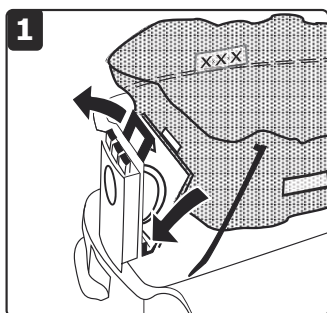
 Asegúrese de que los contactos [7-1] estén libres.

- ▶ Vuelva a colocar la parte superior [2-1] y cierre las pinzas correspondientes [2-2].

ENS-CT 26/36/48



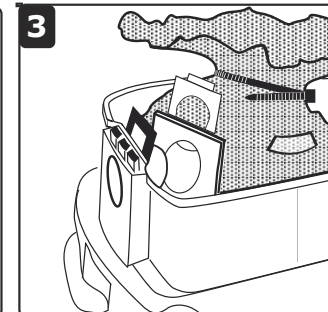
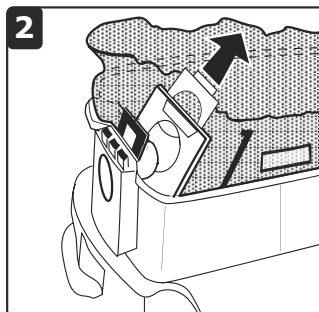
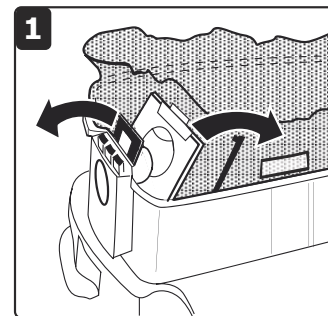
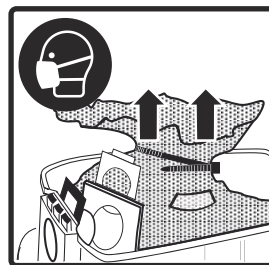
7



7-1

Extracción de la bolsa de evacuación [8]

- ▶ Abra los enganches de sujeción [2-2] y retire la parte superior del aparato [2-1].
- ▶ Cierre la bolsa de evacuación.
- ▶ Retire la bolsa de evacuación.
- ▶ Elimine la bolsa de evacuación usada teniendo en cuenta las leyes aplicables.



8

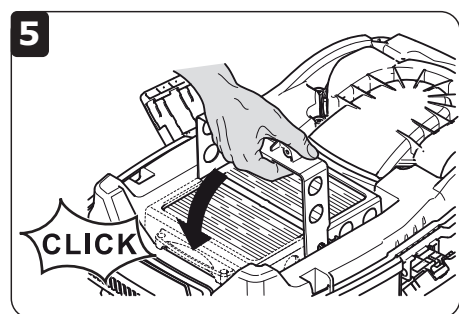
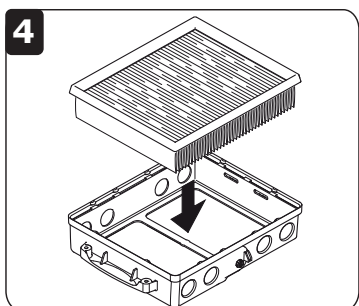
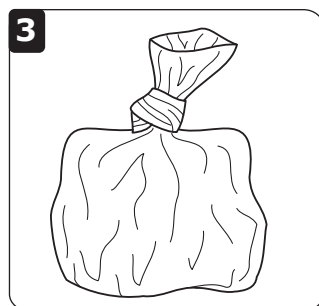
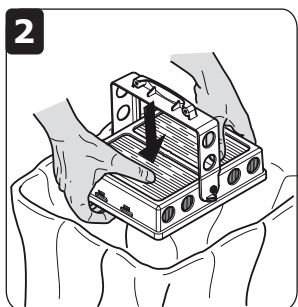
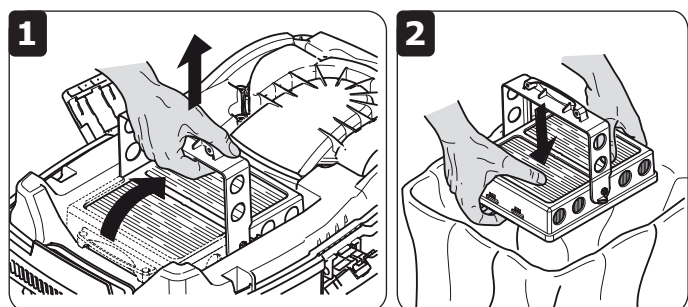
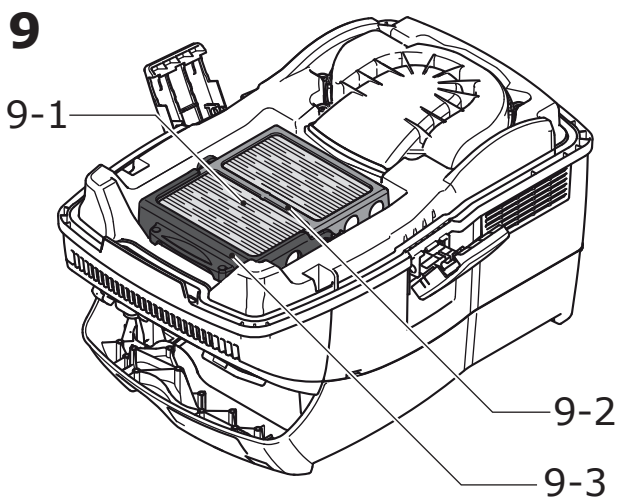
- ▶ Limpie el depósito para la suciedad [2-3].
- ▶ Vuelva a colocar la parte superior [2-1] y cierre las pinzas correspondientes [2-2].

10.3 Cambio del filtro principal

AVISO

Daños en el motor

- ▶ El motor puede provocar daños si se aspira sin tener un filtro principal montado.
- ▶ Abra los enganches de sujeción [2-2] y retire la parte superior del aparato [2-1].



- ▶ Gire la parte superior de la herramienta de manera que el filtro principal quede orientado hacia arriba (figura [9]).
- ▶ Mueva la palanca [9-3] y extraiga el soporte [9-2].
- ▶ Extraiga el filtro principal usado [9-1] y sustitúyalo por uno nuevo.
- ▶ Deseche el filtro principal usado teniendo en cuenta las leyes aplicables.
- ▶ Inserte el soporte [9-2] y mueva la palanca [9-3] hasta que se enclave.
- ▶ Vuelva a colocar la parte superior [2-1] y cierre las pinzas correspondientes [2-2].

11 Al finalizar el trabajo

- ▶ Desconectar el sistema de aspiración móvil y extraer el enchufe.
- ▶ Enrollar el cable de conexión a la red eléctrica.
- ▶ Vaciar el depósito para suciedad.



ADVERTENCIA

Polvo perjudicial para la salud

Daños en las vías respiratorias

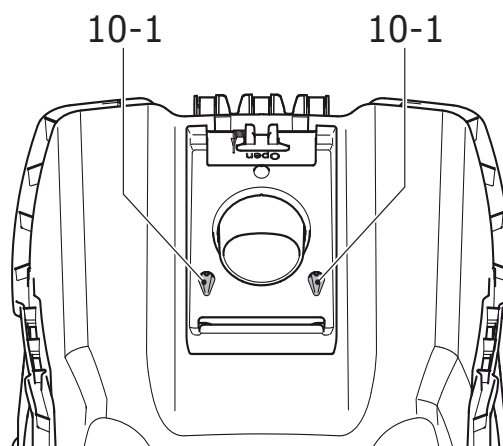
- ▶ Limpie el sistema móvil de aspiración y todos los accesorios aspirándolos y limpiándolos a fondo (por dentro y por fuera), antes de retirarlo de la zona de trabajo.
- ▶ Las piezas que no puedan limpiarse completamente se deben transportar dentro de una bolsa de plástico hermética.
- ▶ ¡Utilice una mascarilla de protección!
- ▶ Guardar el sistema móvil de aspiración en un lugar seco y protegido contra un uso no autorizado.

11.1 Vaciado del depósito para la suciedad

Una vez extraída la parte superior, se puede vaciar el depósito para la suciedad [2-3].

- ▶ Después de aspirar líquidos, limpie regularmente los sensores del nivel de llenado [10-1] con un paño suave y compruebe si presentan daños.

10



12 Mantenimiento y cuidado



ADVERTENCIA

Cualquier trabajo de mantenimiento o reparación que requiera abrir el motor o la carcasa del engranaje deberá ser realizado únicamente por un Centro de Atención al Cliente (nombre proporcionado por su concesionario).

- Los trabajos de mantenimiento o reparación realizados por una persona no autorizada podrían provocar la conexión incorrecta de los conductores de alimentación u otros componentes, lo que a su vez podría provocar accidentes con consecuencias graves.



ADVERTENCIA

Para prevenir los accidentes, antes de realizar cualquier trabajo de mantenimiento o reparación en la máquina retire siempre el enchufe de la toma de corriente.

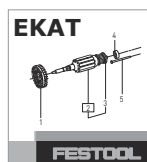
- No utilice aire a presión para limpiar las herramientas eléctricas. No intente limpiar las partes internas de la máquina de este modo, ya que podría permitir la entrada de objetos extraños a través de las aperturas de la carcasa de la máquina.

El fabricante o una persona capacitada debe realizar un control técnico del polvo al menos una vez al año con el objeto de comprobar, p. ej., posibles daños del filtro, la estanqueidad de la herramienta y el correcto funcionamiento de los dispositivos de control.

Al efectuar los trabajos de mantenimiento y reparación se deben eliminar todas las piezas sucias que no se puedan limpiar de forma satisfactoria. Estas piezas deben eliminarse en bolsas estancas en cumplimiento con las disposiciones vigentes para la eliminación de este tipo de residuos.



El **Servicio de atención al cliente y reparaciones** solo está disponible por parte del fabricante o de los talleres de reparación: encuentre la dirección más próxima a usted en: www.festoolusa.com/service



Utilice únicamente piezas de recambio Festool originales. Referencia en: www.festoolusa.com/service

13 Accesorios

Utilice únicamente los accesorios Festool originales y el material de consumo Festool diseñados para esta máquina, puesto que los componentes de este sistema están óptimamente adaptados entre sí. La utilización de accesorios y material de consumo de otros fabricantes puede afectar a la calidad de los resultados de trabajo y conllevar una limitación de los derechos de la garantía. El desgaste de la máquina o de su carga personal puede variar en función de la aplicación. Utilice únicamente accesorios originales y material de consumo de Festool para su propia protección y la de la máquina, así como de los derechos de la garantía.

Los números de pedido de los accesorios y las herramientas figuran en el catálogo de Festool o en la dirección de Internet www.festoolusa.com.

14 Reciclaje

¡No desechar las herramientas eléctricas junto con los residuos domésticos! Recicle los aparatos, accesorios y embalajes de forma respetuosa con el medio ambiente. Tenga en cuenta la normativa vigente del país.



Festool USA Statement on HEPA Vacuums and EPA RRP

In 2008 the U.S. Environmental Protection Agency (EPA) enacted a rule regarding Lead paint known as Renovation, Repair, and Painting (RRP), 40 CFR Part 745. This rule outlines many practices related to sanding, cutting, and demolition.

To learn more: <https://www.epa.gov/lead/renovation-repair-and-painting-program>